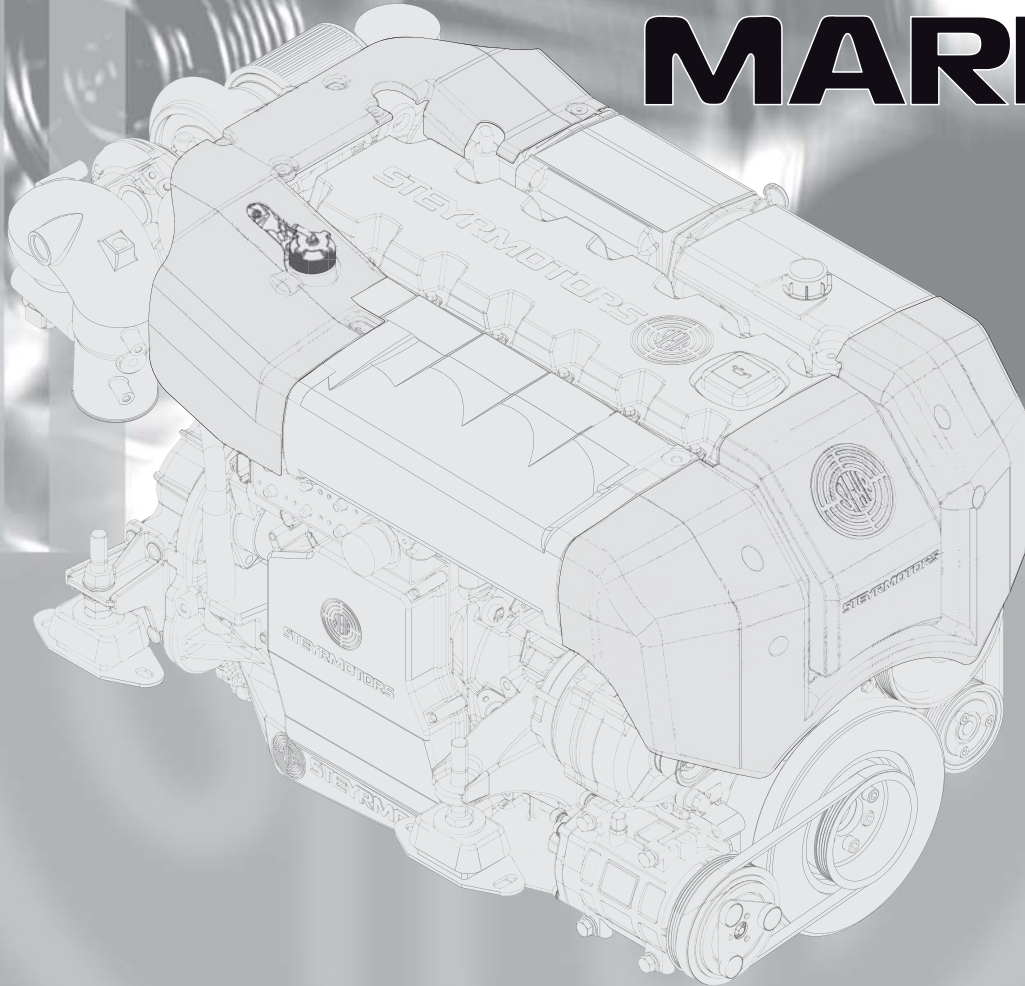




# STEYR MARINE ENGINES

**SE236 S36**  
**MARINE**



**SE236S36**

Serial no.: 682320001-->

# SPARE PARTS CATALOGUE

P/N Z011845-0 1<sup>st</sup> Edition, July 2012

**TEL** ++43 / 7252 / 222 / 20

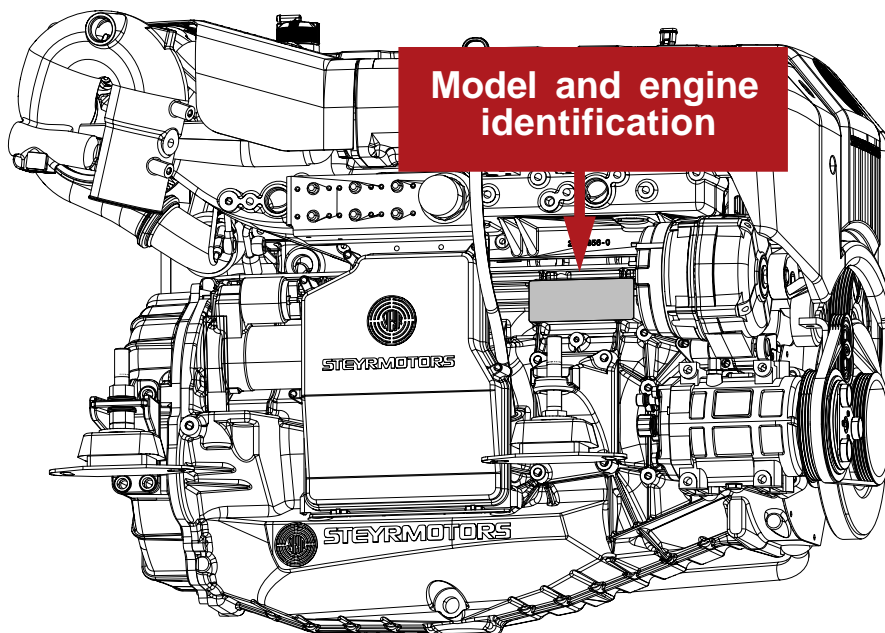
**FAX** ++43 / 7252 / 222 / 29

**@** e.sales@steyr-motors.com



When ordering spare parts are always indicate model and engine number.  
This will speed up delivery and help to avoid mistakes.

The primary model and engine number is located on the engine as illustrated. These numbers are required when requesting warranty and ordering parts.



**Substituting automotive or generally supplied parts and hardware will often result in less than desired performance. For this reason, you should insist on the known quality of genuine STEYR Marine matched replacement parts, and should never use parts of unknown quality.**

We reserve the right to make changes in design and execution which incorporate advances in technology!



# SIGNS AND SYMBOLS

1



TA 0101

CYLINDERBLOCK

**SE236 536**  
**MARINE**

2

01016084-0

3	4	5	6	8	9	7
Pos.	Part.-No.	Qty	Designation			Step
24	Z002676-0	1	SPARE PART COVER T-BELT —>68226146			.2
26	2203711-1	1	COVER T-BELT, UPPER PART 68226147—>			.2
28	9000538-0	3	HEX.FLANGE BOLT EN 1665-M6x50 A2-70			.2

1 Table number

2 Partlist number for whole table/  
functional groups

3 Positions number

4 Spare part number

5 Quantity for one engine respectively  
assembly group

6 Designation and description of spare part

7 Groupparts are marked with a circle around the  
position number. Parts in the list below these,  
which had an increased step number by one, will  
be included at delivery.

8 —> 6..... Arrow before engine number:  
Spare part UNTIL and LOWER

9 6..... —> Arrow past engine number:  
Spare part FROM and HIGHER

## ACROBAT

... back to "starting point"

... one page back

... one page forward

Z011845-0\_01

3





**SE236 S36  
MARINE**

**TABLE OF CONTENTS - SPARE PARTS CATALOGUE**

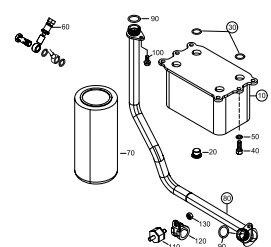

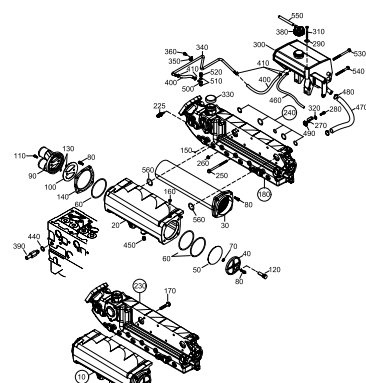

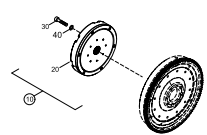

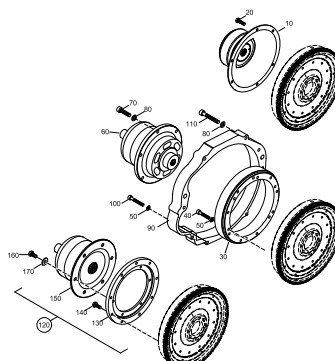

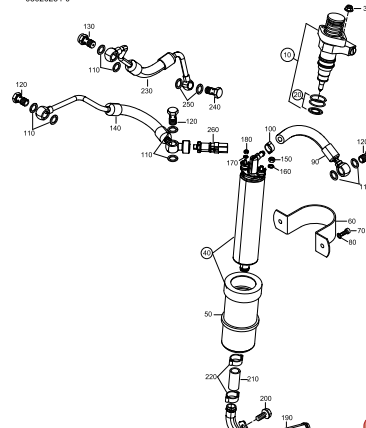

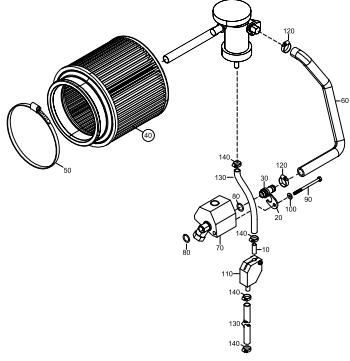

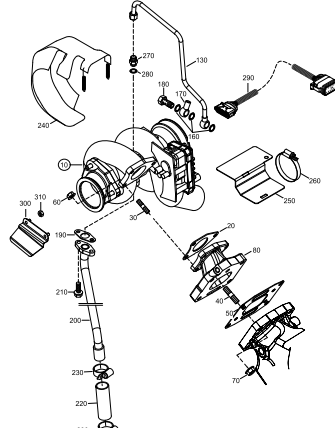

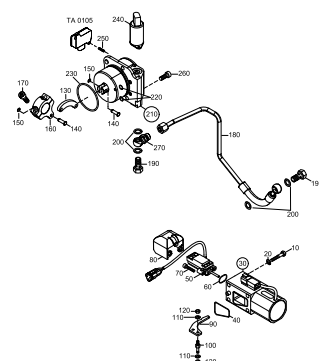

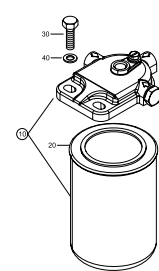

<p><b>TA 0100 Page 10</b> MOUNT BRACKET, COVER T-BELT, GASKET SET</p> <p>01006284-0</p>	<p><b>TA 0101 Page 12</b> CRANKCASE</p> <p>01016284-0</p>	<p><b>TA 0102 Page 14</b> CRANKSHAFT, BEARING, DAMPER</p> <p>01026284-0</p>
<p><b>TA 0103 Page 16</b> FLYWHEEL, FLYWHEELHOUSING</p> <p>01036284-0</p>	<p><b>TA 0104 Page 20</b> PISTON, RINGS AND PIN, CONNECTION ROD</p> <p>01046284-1</p>	<p><b>TA 0105 Page 22</b> CAMSHAFT HOUSING</p> <p>01056284-0</p>
<p><b>TA 0106 Page 26</b> OILPUMP, OILPIPE, OILPAN, OIL DIPSTICK</p> <p>01066284-2</p>	<p><b>TA 0108 Page 30</b> INTERCOOLER</p> <p>01086284-2</p>	<p><b>TA 0109 Page 32</b> POWER TAKE OFF FRONT</p> <p>01096184-0</p>





**TABLE OF CONTENTS - SPARE PARTS CATALOGUE**

**SE236 S36  
MARINE**

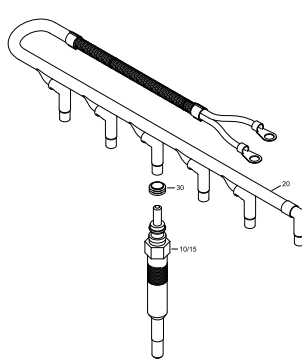

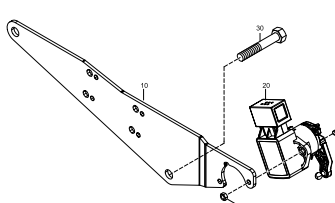

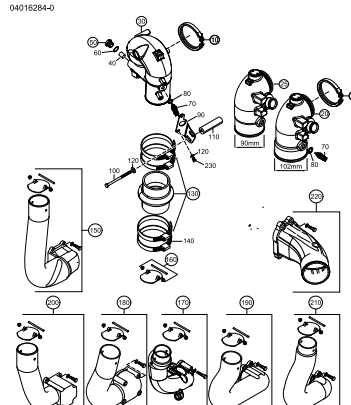

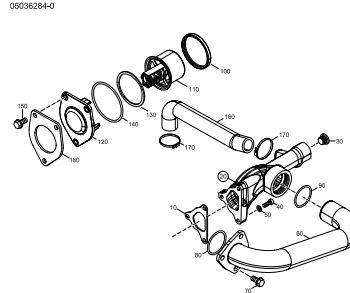

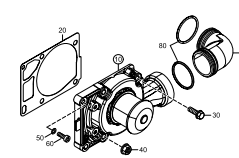

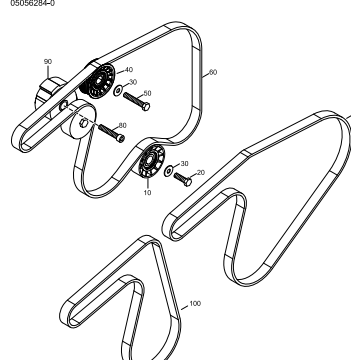

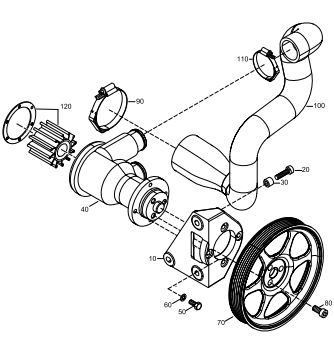

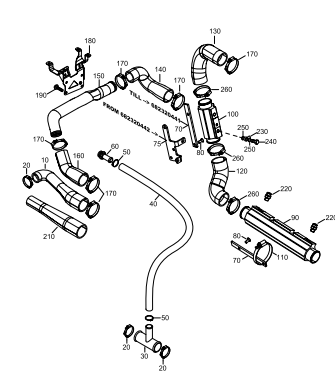

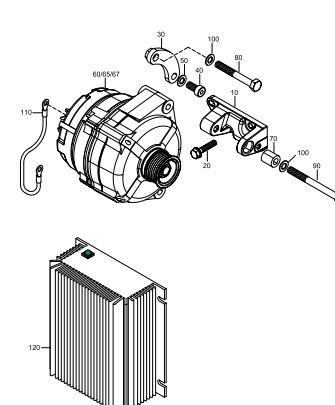

<p><b>TA 0113 Page 34</b> OILCOOLER, OILFILTER</p> <p>01136284-0</p>  	<p><b>TA 0114 Page 36</b> EXHAUST, HEAT EXCHANGER, GASKETS</p> <p>01146284-0</p>  	<p><b>TA 0200 Page 40</b> TORSIONAL COUPLING</p> <p>02006284-0</p>  
<p><b>TA 0210 Page 42</b> COUPLER</p> <p>02106284-0</p>  	<p><b>TA 0302 Page 44</b> FUEL PUMP, UNIT INJECTOR, PIPE</p> <p>03026284-0</p>  	<p><b>TA 0304 Page 46</b> AIRFILTER, INVERSIONVALVE SOLAS</p> <p>03046284-0</p>  
<p><b>TA 0305 Page 48</b> TURBO</p> <p>03056284-3</p>  	<p><b>TA 0308 Page 50</b> CONTR. SOLENOID, INJECTION TIMING DEVICE</p> <p>03086284-0</p>  	<p><b>TA 0309 Page 52</b> FUEL FILTER</p> <p>03096284-0</p>  





**SE236 S36**  
**MARINE**

**TABLE OF CONTENTS - SPARE PARTS CATALOGUE**

<p><b>TA 0311 Page 54</b> GLOW PIN</p> <p>03116084-0</p>  	<p><b>TA 0312 Page 56</b> POTENTIOMETER ACCELERATOR</p> <p>03126284-0</p>  	<p><b>TA 0401 Page 58</b> HIGH RISER, EXHAUSTPIPE</p> <p>04016284-0</p>  
<p><b>TA 0503 Page 60</b> WATERPIPE, THERMOSTAT</p> <p>05036284-0</p>  	<p><b>TA 0504 Page 62</b> WATERPUMP</p> <p>05046284-0</p>  	<p><b>TA 0505 Page 64</b> DRIVE BELTS, PULLEYS, TENSIONER</p> <p>05056284-0</p>  
<p><b>TA 0510 Page 66</b> RAW WATER PUMP</p> <p>05106284-0</p>  	<p><b>TA 0512 Page 68</b> RAW WATER PIPES</p> <p>05126284-0</p>  	<p><b>TA 0601 Page 70</b> ALTERNATOR 14V - 120A</p> <p>06016284-0</p>  





**TABLE OF CONTENTS - SPARE PARTS CATALOGUE**

**SE236 S36**  
**MARINE**

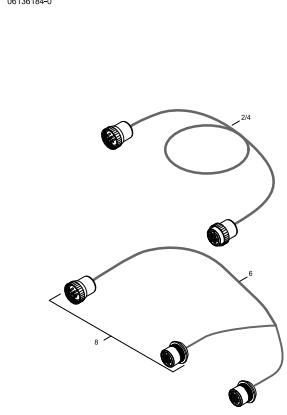

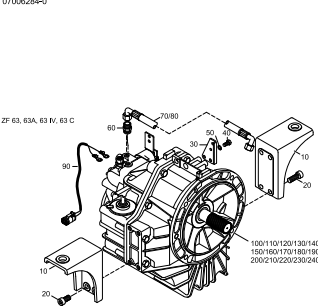

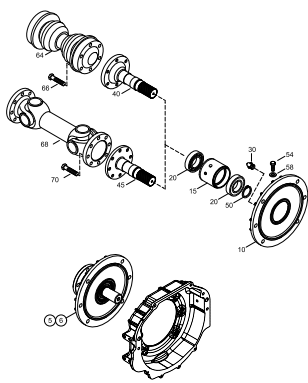

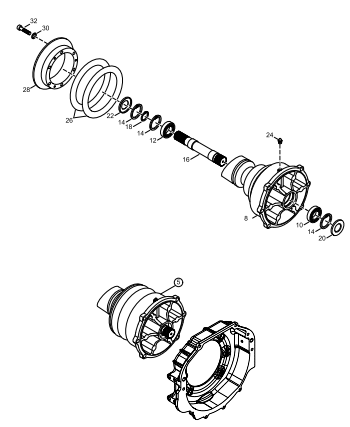

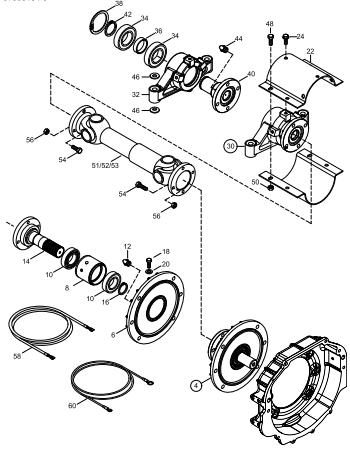

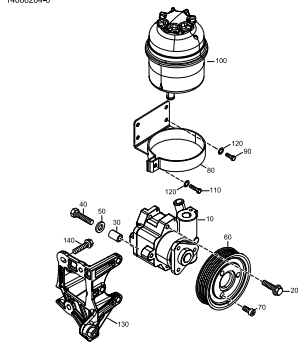

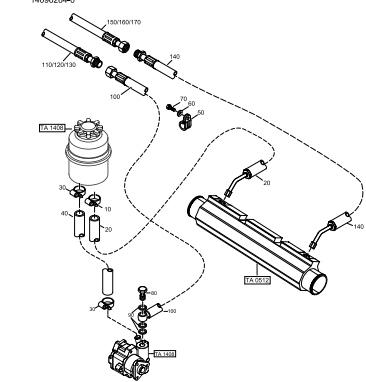

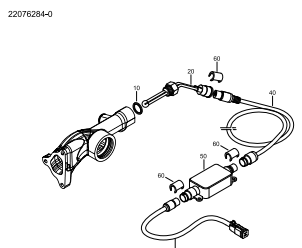

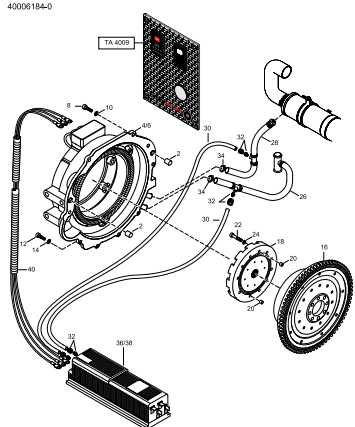

<p><b>TA 0603 Page 72</b> STARTER</p>	<p><b>TA 0605 Page 74</b> ENGINE HARNESS</p>	<p><b>TA 0606 Page 76</b> SECURETSYSTEM, FUSES, ECU, E-BOX</p>
<p><b>TA 0607 Page 78</b> INSTRUMENTPANEL (STANDARD)</p>	<p><b>TA 0609 Page 80</b> INSTRUMENTPANEL SOLAS (STANDARD)</p>	<p><b>TA 0609 Page 82</b> INSTRUMENTPANEL SOLAS 24V</p>
<p><b>TA 0610 Page 84</b> SCC-DISPLAY</p>	<p><b>TA 0611 Page 86</b> SCC KEY IGNITION PANEL</p>	<p><b>TA 0612 Page 88</b> SCC PUSH BUTTON IGNITION PANEL</p>





**SE236 S36  
MARINE**

**TABLE OF CONTENTS - SPARE PARTS CATALOGUE**

<p><b>TA 0613 Page 90</b> EXTENSION CABLE INSTRUMENTS</p>  <p>06136184-0</p> 	<p><b>TA 0700 Page 92</b> TRANSMISS., MOUNTING BRACKETS, PIPES</p>  <p>07006284-0</p> <p>ZF 63, 63A, 63 IV, 63 C</p> <p>100/110/120/130/140 150/160/170/180/190 200/210/220/230/240</p> 	<p><b>TA 0701 Page 94</b> TRANSMISSION-SHAFT, PTO-SHAFT</p>  <p>07016184-0</p> 
<p><b>TA 0720 Page 96</b> DRIVE ADAPTOR VOLVO STERNDRIVE</p>  <p>07206084-0</p> 	<p><b>TA 0730 Page 98</b> DRIVE SHAFT EXT. MERCURY STERNDRIVE</p>  <p>07306184-0</p> 	<p><b>TA 1408 Page 100</b> HYDRAULIC PUMP</p>  <p>14086284-0</p> 
<p><b>TA 1409 Page 102</b> HYDRAULIC PIPES</p>  <p>14096284-0</p> 	<p><b>TA 2207 Page 104</b> ENGINE PREHEATING</p>  <p>22076284-0</p> 	<p><b>TA 4000 Page 106</b> INTEGR. FLYWHEELGENERATOR (IFG)</p>  <p>40006184-0</p> 







**TABLE OF CONTENTS - SPARE PARTS CATALOGUE**

**SE236 S36**  
**MARINE**

<p><b>TA 4009 Page 108</b> IFG PUSH BUTTON PANEL</p> <p style="text-align: right;"></p>	<p><b>TA 4100 Page 110</b> HYBRID</p> <p style="text-align: right;"></p>	<p><b>TA 5200 Page 112</b> AIR CONDITIONING &amp; DRIVE</p> <p style="text-align: right;"></p>
<p><b>TA 5520 Page 114</b> OIL DRAIN PUMP</p> <p style="text-align: right;"></p>	<p><b>TA 6012 Page 116</b> CABIN HEATER, CIRCULATION PUMP</p> <p style="text-align: right;"></p>	<p style="text-align: right;"></p>
<p style="text-align: right;"></p>	<p style="text-align: right;"></p>	<p style="text-align: right;"></p>



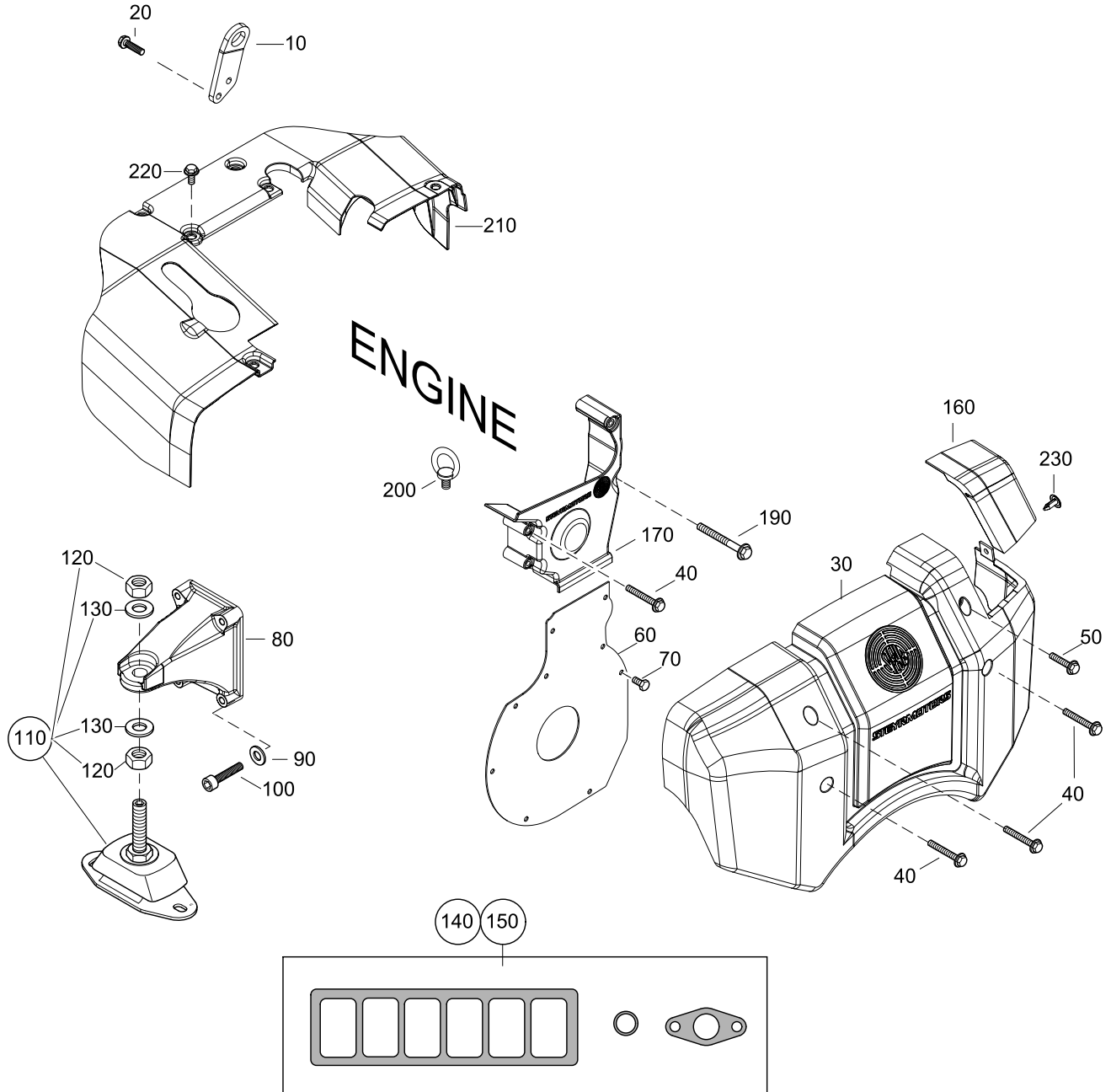


TA 0100

**SE236 S36**  
**MARINE**

**MOUNT BRACKET, COVER T-BELT, GASKET SET**

01006284-0





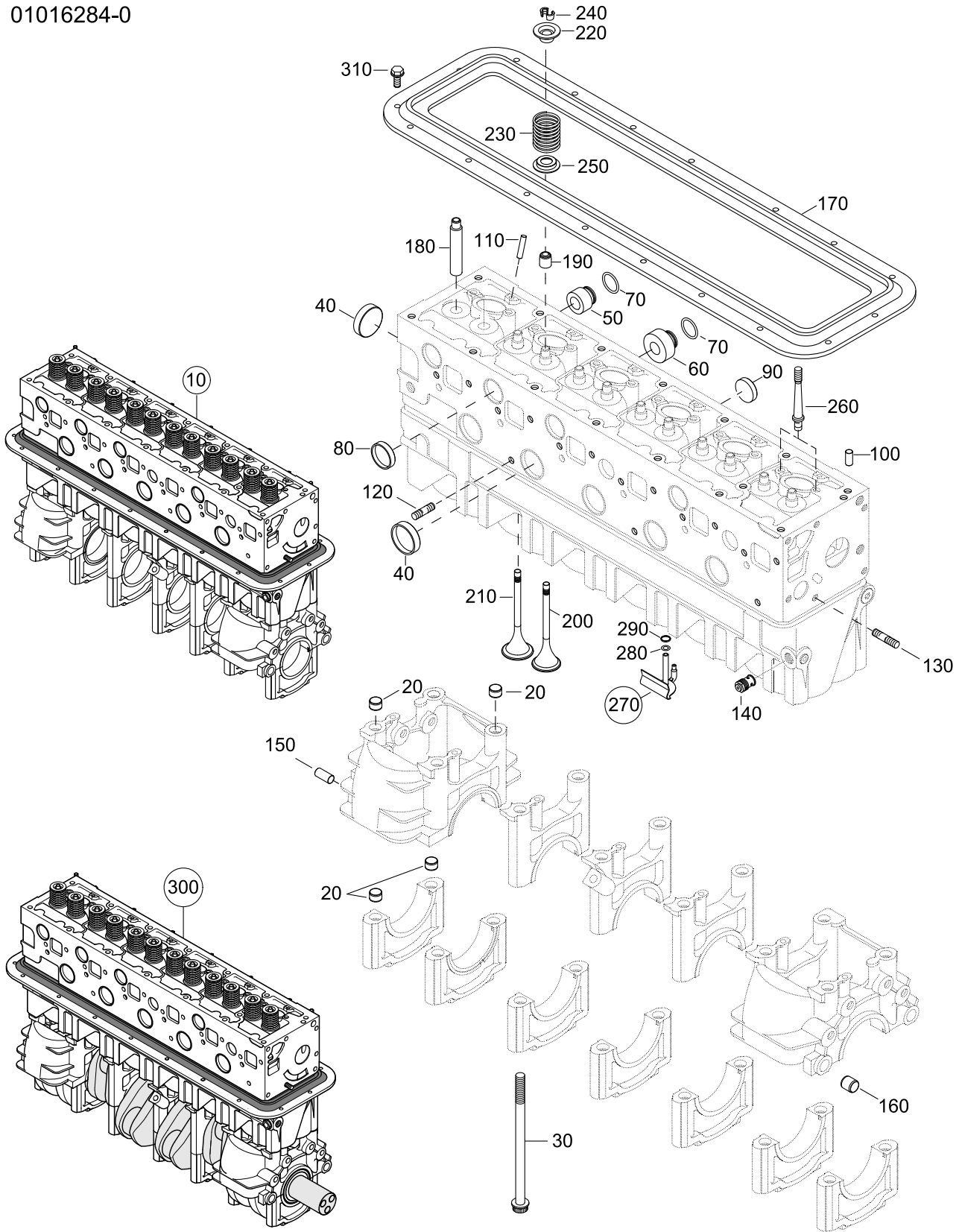


TA 0101

**SE236 S36**  
**MARINE**

**CRANKCASE**

01016284-0



<b>CRANKCASE</b>	<b>SE236 S36 MARINE</b>
------------------	-----------------------------

01016284-0

Pos.	Part.-No.	Qty	Designation	Step
10	MZ60284-0	1	CYL. BLOCK ASSY. MARINE (INCL. VALVES)	.2
20	2172799-0	24	FITTING SLEEVE	..3
30	2174329-0	14	BOLT, MAIN BEARING	..3
40	2170309-0	6	CORE HOLE PLUG 40-8	..3
50	2180872-0	2	O-RING SLEEVE	..3
60	2180873-0	3	O-RING SLEEVE	..3
70	9001076-0	5	O-RING 19,2x3	..3
80	2172170-0	6	CORE HOLE PLUG 28-7	..3
90	2173768-0	6	CORE HOLE PLUG 22-8	..3
100	3901416-0	2	PARALLEL PIN ISO 2338-8m6x16-ST	..3
110	3901328-0	6	PARALLEL PIN ISO 2338-6m6x30-ST	..3
120	9000327-0	3	STUD DIN 939-M6x20-8.8-A2C	..3
130	3812435-0	1	STUD DIN 938-M8x35-8.8-A3C	..3
140	2178525-1	1	COOLING OIL VALVE ASSY.	..3
150	3901509-0	2	PARALLEL PIN ISO 2338-10m6x20-ST	..3
160	2170298-0	2	FITTING SLEEVE	..3
170	2205379-0	1	FRAME SEAL	..3
180	2172133-N	12	VALVE GUIDE	..3
190	2172096-1	12	VALVE STEM SEAL	..3
200	2177577-1	6	EXHAUST VALVE	..3
210	2177576-6	6	INTAKE VALVE	..3
220	2177349-0	12	VALVE-SPRING RETAINER	..3
230	2172362-0	12	VALVE SPRING	..3
240	2170171-0	24	VALVE COLLET	..3
250	2177415-0	12	SPRING SUPPORT	..3
260	2174321-1	12	STUD	.2
270	2178478-3	6	SPRAYING NOZZLE ASSY.	.2
280	2179896-0	6	O-RING 5,23 x 2,62 (GREEN)	..3
290	2179658-0	6	BACK-UP RING	.2
300	MT60284-0	1	PARTIAL ENGINE	.2
310	9000287-0	17	HEX.FLANGE BOLT EN 1665-M6x12-8.8-A3C	.2



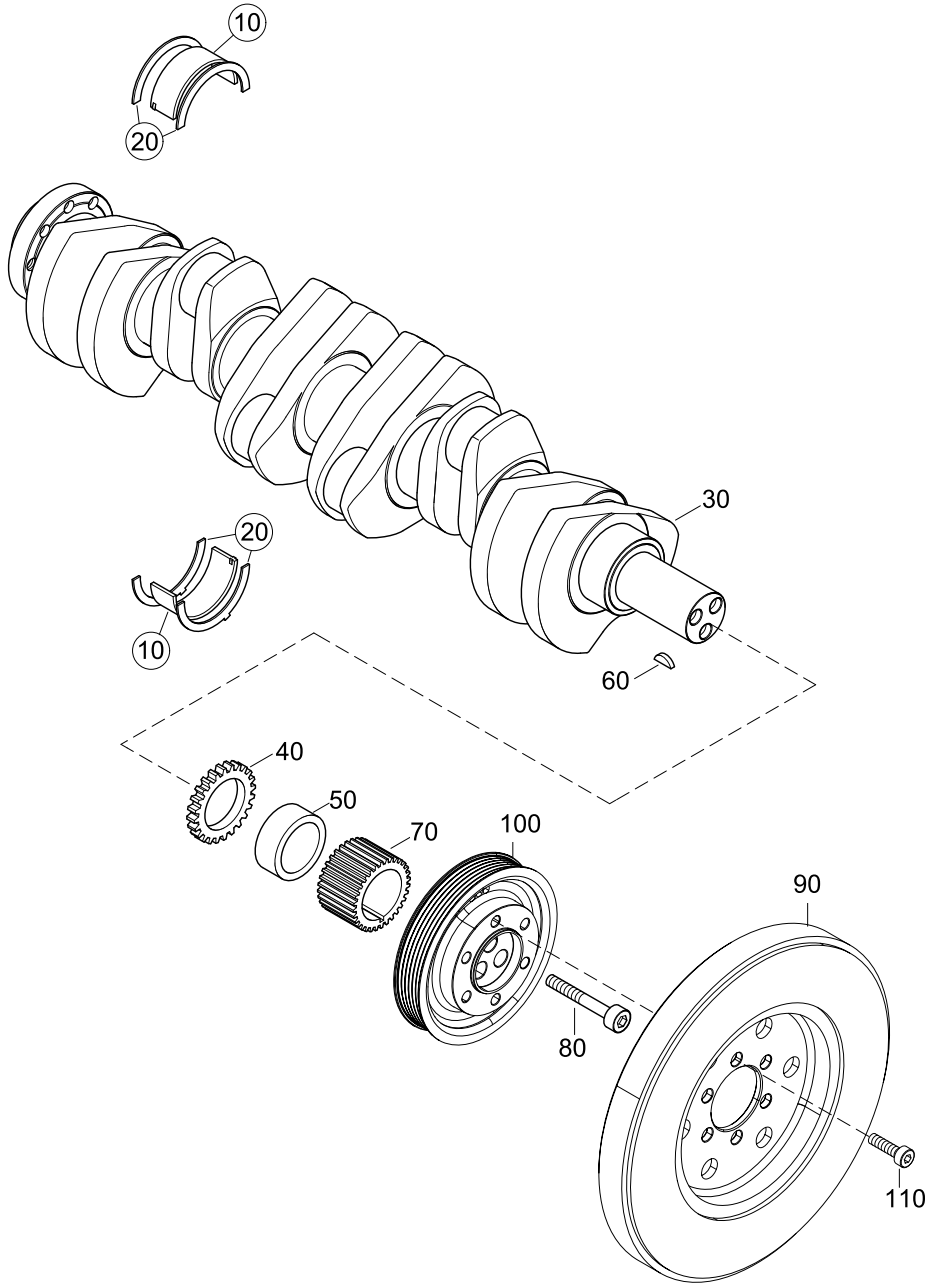


TA 0102

**SE236 S36**  
**MARINE**

**CRANKSHAFT, BEARING, DAMPER**

01026284-0





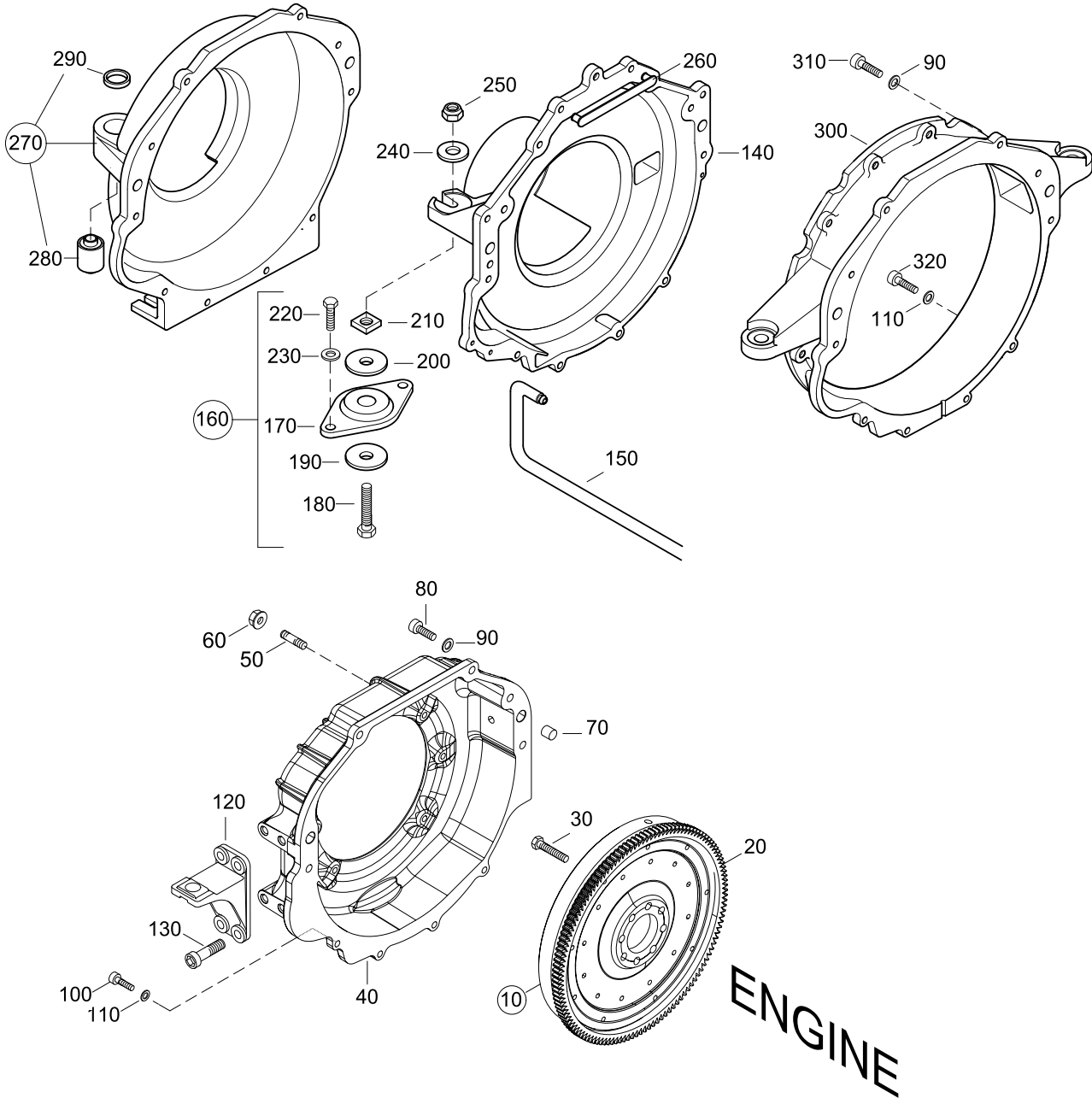


TA 0103

**SE236 S36**  
**MARINE**

**FLYWHEEL, FLYWHEELHOUSING**

01036284-0







**FLYWHEEL, FLYWHEELHOUSING**

**SE236 S36  
MARINE**

01036284-0

Pos.	Part.-No.	Qty	Designation	Step
10	2180676-0	1	FLYWHEEL ASSY.	.2
20	2205031-0	1	STARTER RING GEAR, FLYWHEEL	..3
30	2174592-0	8	HEX. HEAD SCREW M10x30-12.9	.2
40	2180981-0	1	HOUSING-FLYWHEEL INBOARD	.2
50	9000371-0	6	STUDDIN 835-M10x25-8.8-A3C	.2
60	9000042-1	6	HEX.FLANGE NUT DIN 6923-M10-8-A3C	.2
70	3900184-0	2	SPRING PIN, SLIGHT TYPE DIN 7346-16x22	.2
80	3862545-0	5	HEX.SOCK. HD.CAP SCR. DIN 912-M10x35-A2-70	.2
90	3930075-0	5	WASHER DIN 125 A10.5-140HV-A2	.2
100	3862433-0	4	HEX.SOCK. HD.CAP SCR. DIN 912-M8x30-A2-70	.2
110	3930103-0	4	WASHER DIN 125-8.4-140HV-A2	.2
120	2178722-1	2	BRACKET FLYWHEEL HOUSING	.2
130	9000081-0	8	HEX.SOCK.HD.CAP SCR. DIN 912-M12x35-8.8-A3C	.2
140	O915157-9	1	HOUSING-FLYWHEEL OMC / VOLVO SX - PAINTED	.2
150	O913787-0	1	HOSE-FLYWHEEL HOUSING	.2
160	O986712-0	1	SMALL PARTS REAR MOUNTS	.2
170	O983932-0	2	REAR MOUNT ASSY	..3
180	O318573-0	2	BOLT, REAR MOUNT	..3
190	O911780-0	2	WASHER-REAR MOUNT-LOWER	..3
200	O912889-0	2	WASHER REAR MOUNT	..3
210	O911776-0	2	SQUARE NUT-REAR MOUNT	..3
220	O309484-0	4	HEX. SCREW 3/8-16UNCx1-1/4"	..3
230	O319453-0	4	WASHER	..3
240	O911778-0	2	WASHER, REAR MOUNT	.2
250	O313623-0	2	LOCK NUT, REAR MOUNT	.2
260	2178504-0	1	COVER	.2
270	2178833-M	1	HOUSING FLYWHEEL MERCURY ASSY PAINTED	.2
280	2178876-2	2	SINENT BLOCK F. FLYWHEEL HOUSING	..3
290	2178877-0	2	WASHER-REAR MOUNT-LOWER	..3
300	2178052-9	1	HOUSING FLYWHEEL SAE 4 PAINTED	.2



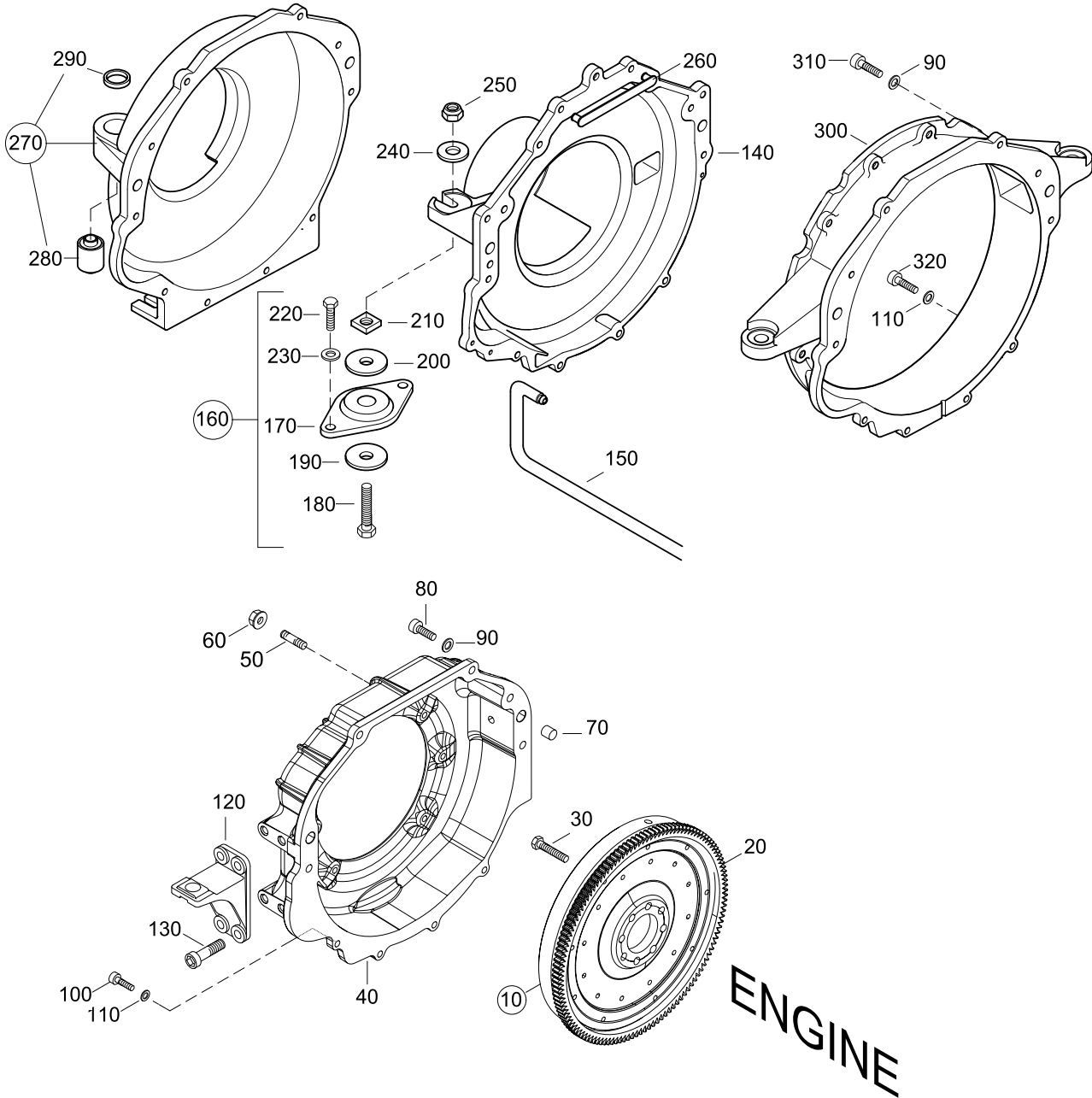


TA 0103

**SE236 S36**  
**MARINE**

**FLYWHEEL, FLYWHEELHOUSING**

01036284-0







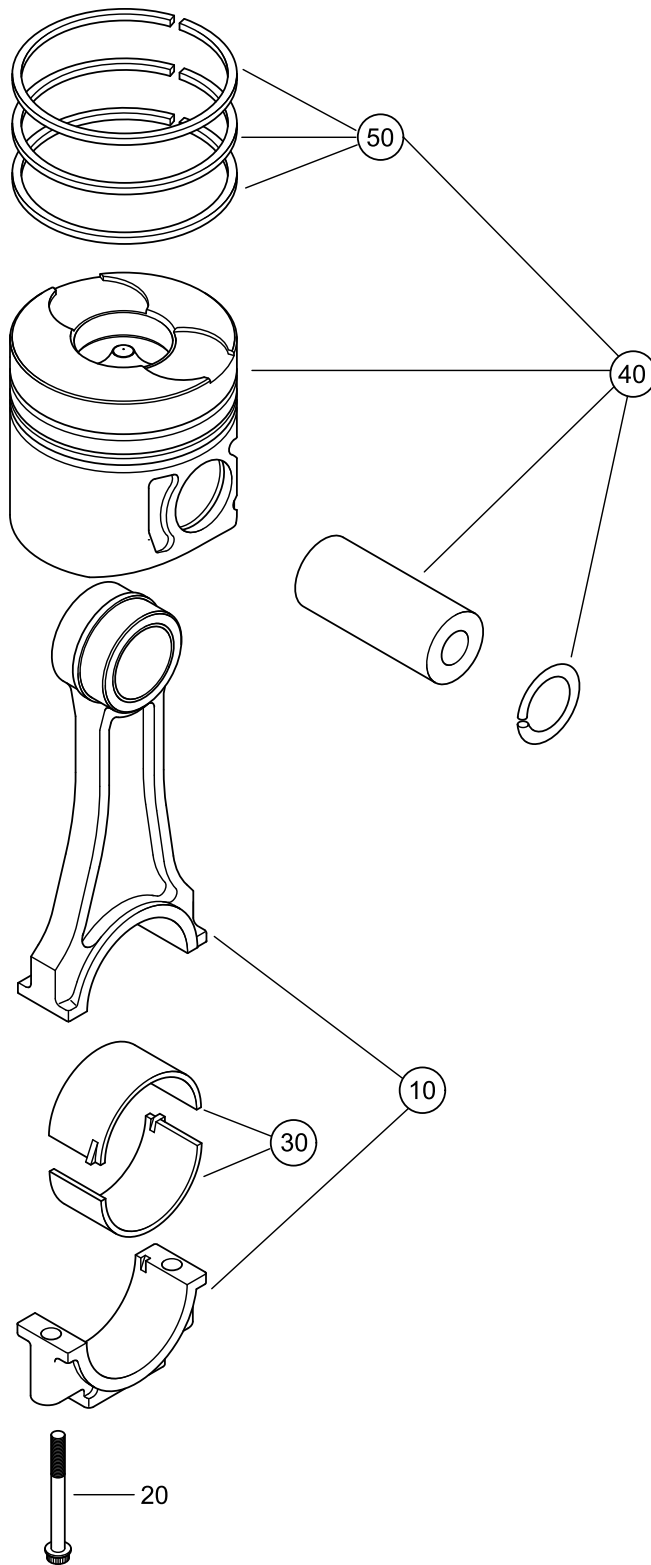
TA 0104



**SE236 S36**  
**MARINE**

**PISTON, RINGS AND PIN, CONNECTION ROD**

01046284-1





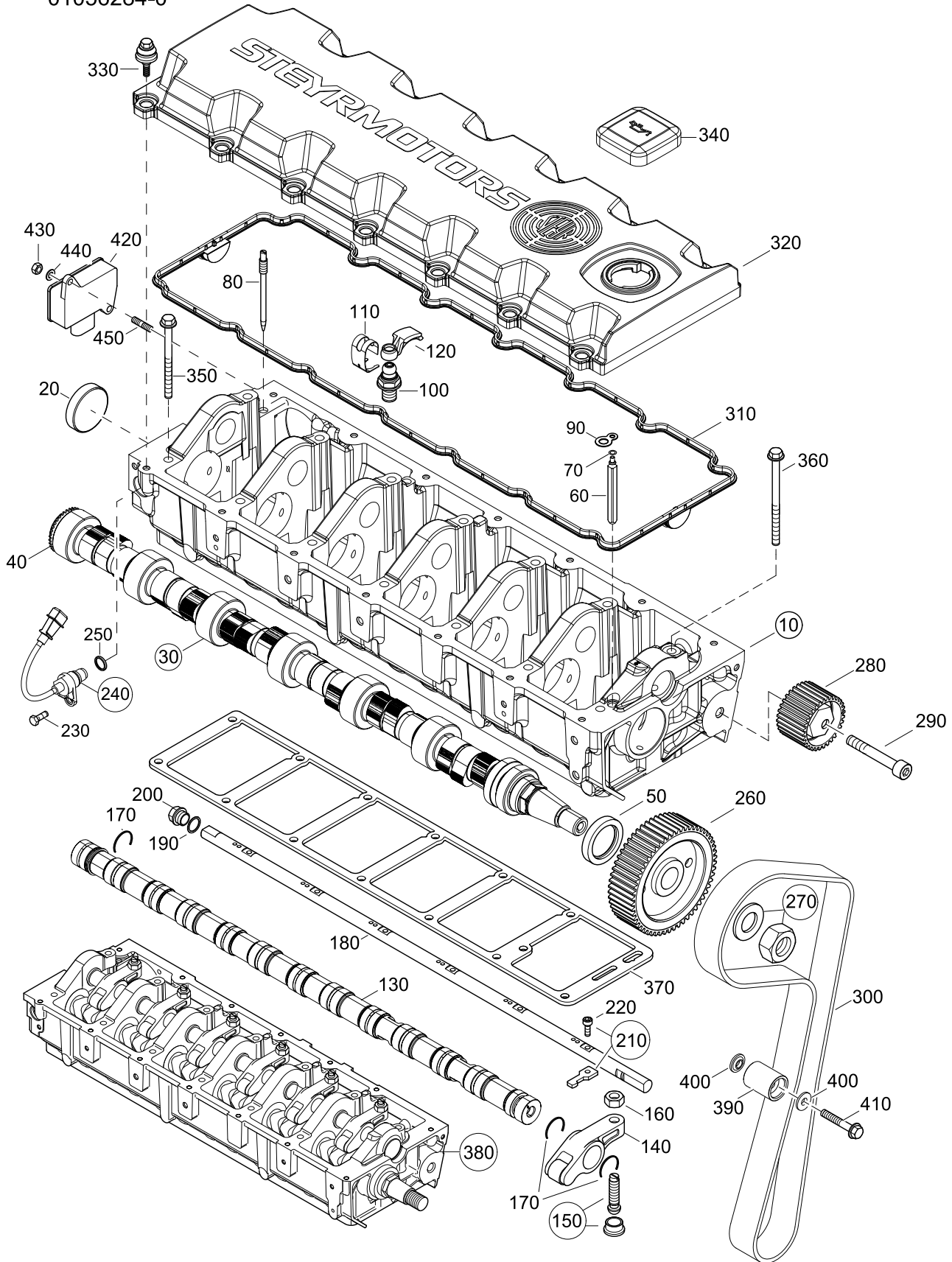


TA 0105

**SE236 S36**  
**MARINE**

**CAMSHAFT HOUSING**

01056284-0





**CAMSHAFT HOUSING**

**SE236 S36  
MARINE**

01056284-0

Pos.	Part.-No.	Qty	Designation	Step
10	Z026100-0	1	CAMSHAFT HOUSING ASSY.	.2
20	2178083-0	1	CORE HOLE PLUG 50-7	..3
30	2178084-2	1	CAMSHAFT ASSY.	.2
40	2203280-1	1	SENSOR DISK	..3
50	2172086-1	1	ROTARY SHAFT SEAL	.2
60	2178486-2	1	AXLE SUPPORT	.2
70	2179278-0	1	O-RING 4,3x2,4	.2
80	2177513-2	1	GUIDE PIN CONTROL RACK	.2
90	2179251-0	1	LOCKING DEVICE, AXLE SUPPORT	.2
100	2174546-2	12	VALVE TAPPET ADJ. SCREW ASSY.	.2
110	2174552-0	12	RETAINING SPRING	.2
120	2177139-1	12	CAM FOLLOWER ASSY.	.2
130	2180860-0	1	ECCENTRIC SHAFT ASSY.	.2
140	Z002094-0	6	ROCKER ARM ASSY. (SPARE PART)	.2
150	Z002010-0	6	TAPPET ADJUSTER ASSY.	.2
160	3871310-0	6	HEX.NUT DIN934-M10x1-8	.2
170	2178796-0	14	CIRCLIP 26x1,2	.2
180	2205115-0	1	CONTROL RACK	.2
190	3098031-0	1	SEALING RING DIN 7603-A26x31-CU	.2
200	3962043-0	1	HEX.HD.SCR.PLUG DIN 7604-C-M26x1.5-ST-A3C	.2
210	Z002009-0	6	CONTROL LINK & BOLT	.2
220	3860140-0	1	HEX.SOCK. HD.CAP SCR. DIN 912-M5x20-LH-10.9	..3
230	3800238-0	1	HEX.HD.SCR. ISO 4017-M6x12-A2-70	.2
240	2176734-2	1	REVOLUTION SENSOR	.2
250	2176729-0	1	O-RING 17,17 x 1,78	..3
260	2177642-0	1	TIMING BELT PULLEY CAMSHAFT	.2
270	Z002011-0	1	NUT & WASHER, CAMSHAFT PULLEY	.2
280	2178548-5	1	IDLER PULLEY ASSY.	.2
290	3860155-0	1	HEX.SOCK. HD.CAP SCR. DIN 912-M10x70-10.9-DAC A500	.2
300	2179985-0	1	TIMING BELT	.2
310	2179921-0	1	SEALING, CAMSHAFT HSG-COVER	.2



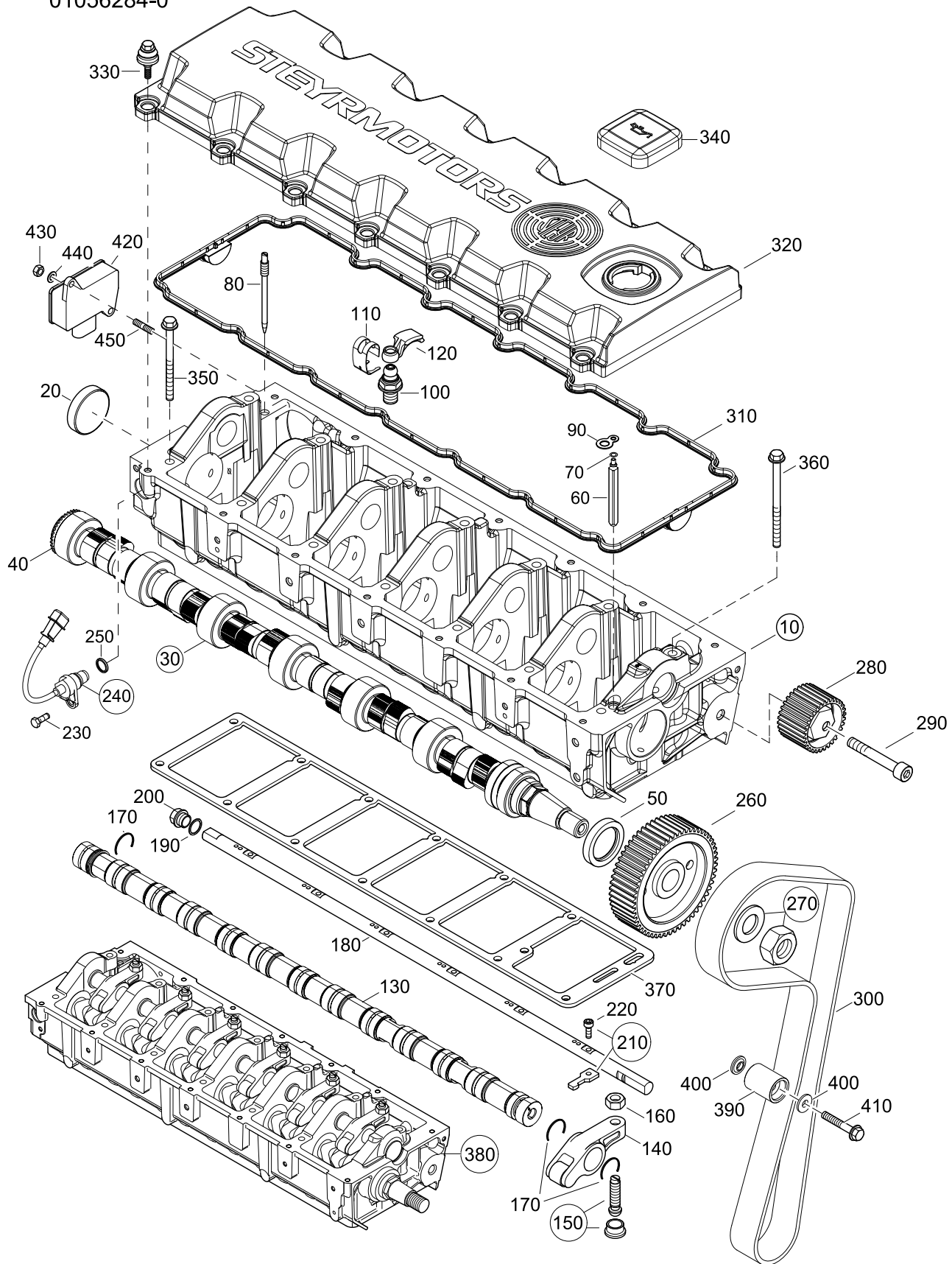


TA 0105

**SE236 S36**  
**MARINE**

**CAMSHAFT HOUSING**

01056284-0







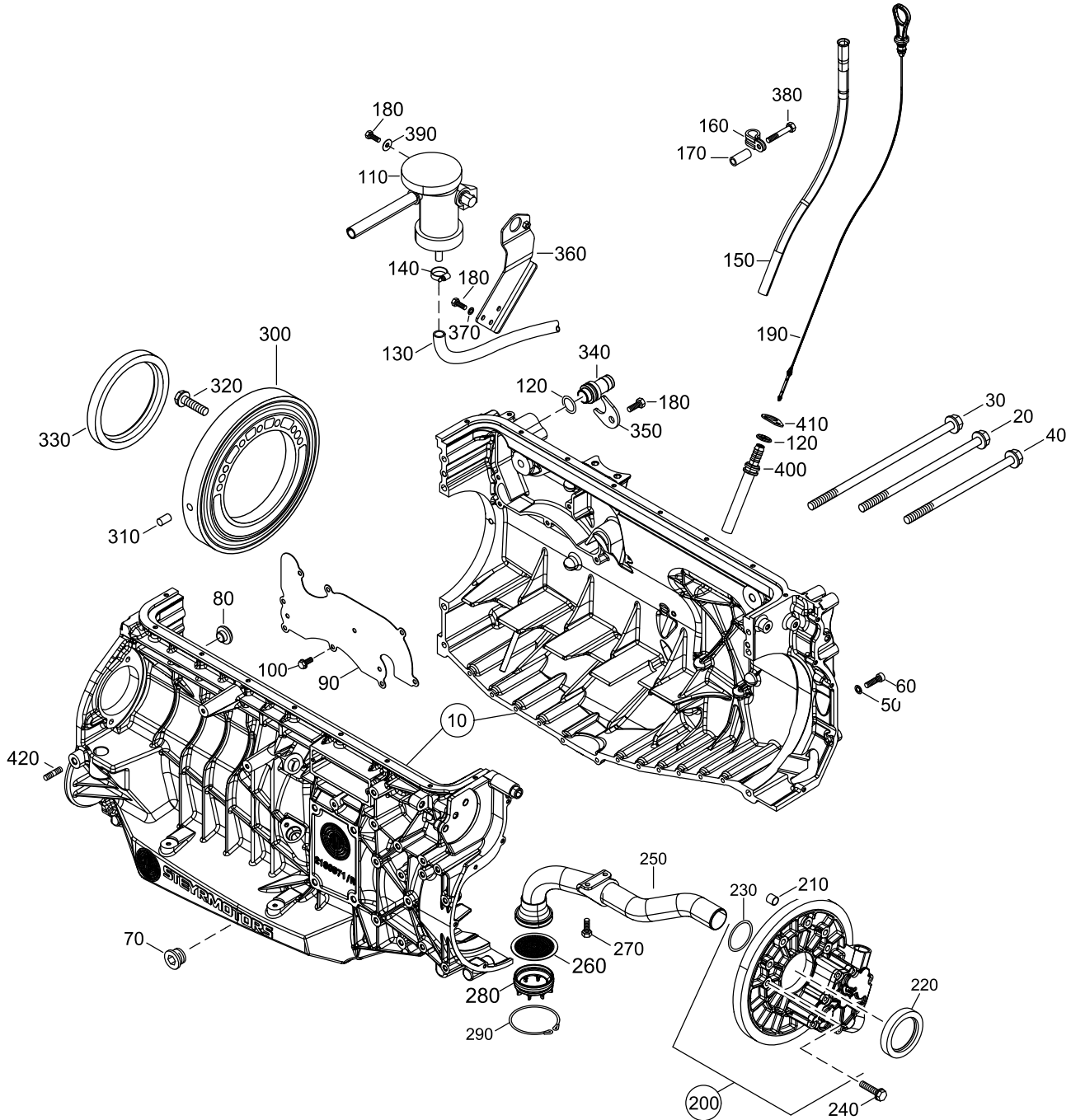


TA 0106

**SE236 S36**  
**MARINE**

**OILPUMP, OILPIPE, OILPAN, OIL DIPSTICK**

01066284-2





**OILPUMP, OILPIPE, OILPAN, OIL DIPSTICK**

**SE236 S36  
MARINE**

01066284-2

Pos.	Part.-No.	Qty	Designation	Step
10	Z026103-0	1	ENGINE HOUSING ASSY.	.2
20	9000464-0	2	HEX.FLANGE BOLT EN 1665-M10x200-8.8-A3C	..3
30	9000463-0	2	HEX.FLANGE BOLT EN 1665-M10x250-8.8-A3C	..3
40	9000465-0	3	HEX.FLANGE BOLT EN 1665-M8x180-8.8-A2C	..3
50	3932008-0	12	SPRING WASHER DIN 137-B6-FST-A3C	..3
60	3862327-0	12	HEX.SOCK. HD.CAP SCR. DIN 912-M6x25-8.8-A2C	..3
70	9000590-0	2	HEX.SOCK.SCR.PLUG WITH RUBBER SEAL M22x1,5	..3
80	2174072-0	4	RUBBER PAD	..3
90	2180815-0	1	COVER PRE OIL SEPARATOR	..3
100	9000287-0	9	HEX.FLANGE BOLT EN 1665-M6x12-8.8-A3C	..3
110	Z002051-1	1	OIL SEPARATOR WITH PIPE	.2
120	2178310-1	2	O-RING 17x3,53	.2
130	2178287-2	1	HOSE, OIL DRAINL=560	.2
140	2174405-0	4	HOSE CLAMP 10-16/7,5 EN 10088-1	.2
150	2180818-0	1	TUBE OIL-DIPSTICK	.2
160	2178566-0	1	PIPE CLAMP RSGU1.15/15-W5	.2
170	2180895-0	1	DISTANCE SLEEVE	.2
180	3800233-0	6	HEX.HD.SCR. ISO 4017-M6x16-A2-70	.2
190	2180819-0	1	OIL DIP STICK ASSY.	.2
200	Z026102-0	1	OIL PUMP ASSY.	.2
210	2170298-0	2	FITTING SLEEVE	..3
220	2170276-1	1	ROTARY SHAFT SEAL	..3
230	2179991-0	1	O-RING 33x3,5	..3
240	9000278-0	6	HEX.FLANGE BOLT EN 1665-M8x35-8.8-A2C	.2
250	2180822-0	1	OILSUCTION PIPE ASSY.	.2
260	2200449-0	1	OIL STRAINER	.2
270	9000287-0	2	HEX.FLANGE BOLT EN 1665-M6x12-8.8-A3C	.2
280	2200450-0	1	SUCTION CAGE	.2
290	9000628-0	1	SNAP RING DIN 7993-A60	.2
300	2174992-1	1	SUPPORT RING REAR	.2
310	3901409-0	1	PARALLEL PIN ISO 2338-8m6x14-ST	.2



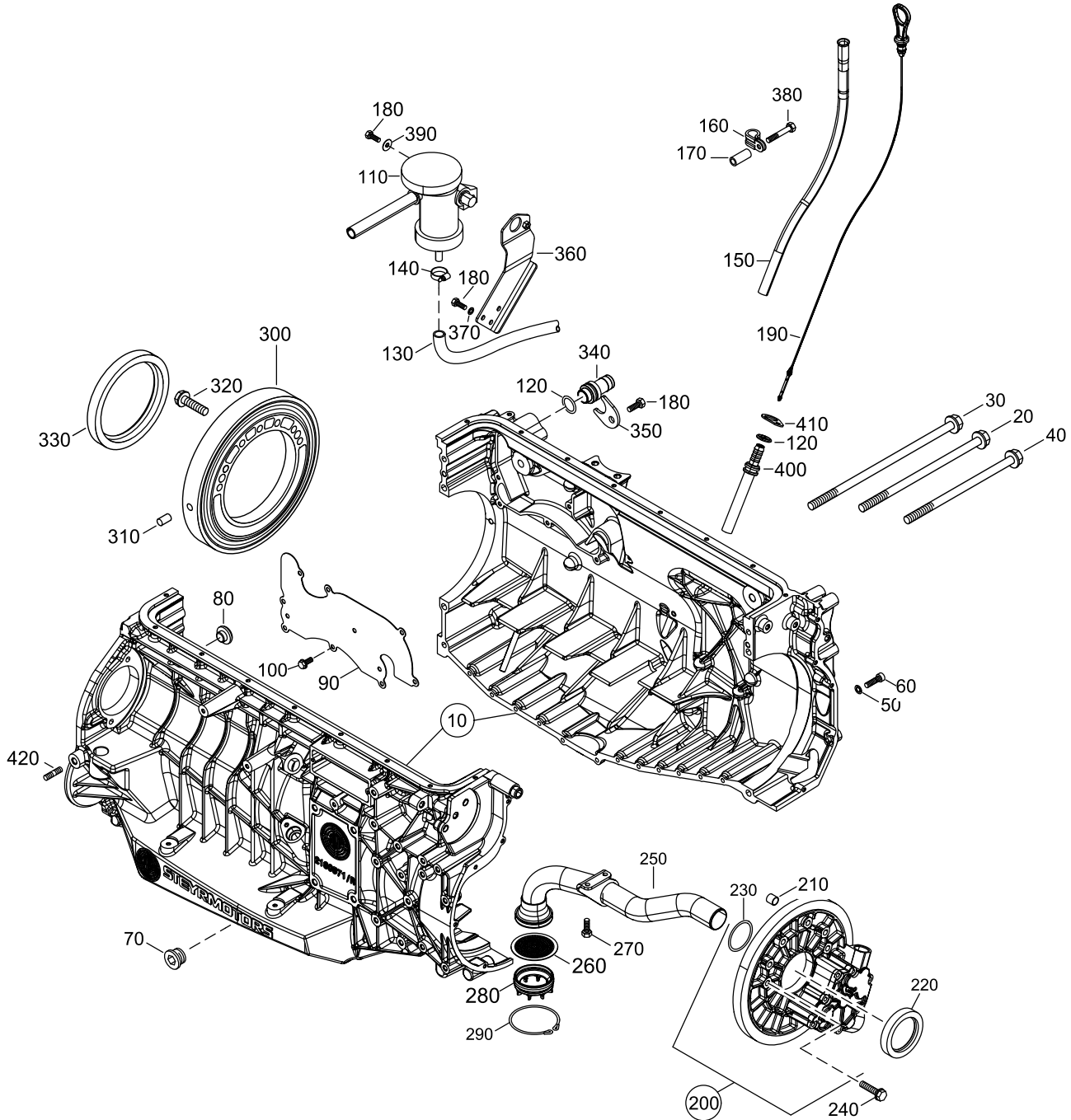


TA 0106

**SE236 S36**  
**MARINE**

**OILPUMP, OILPIPE, OILPAN, OIL DIPSTICK**

01066284-2









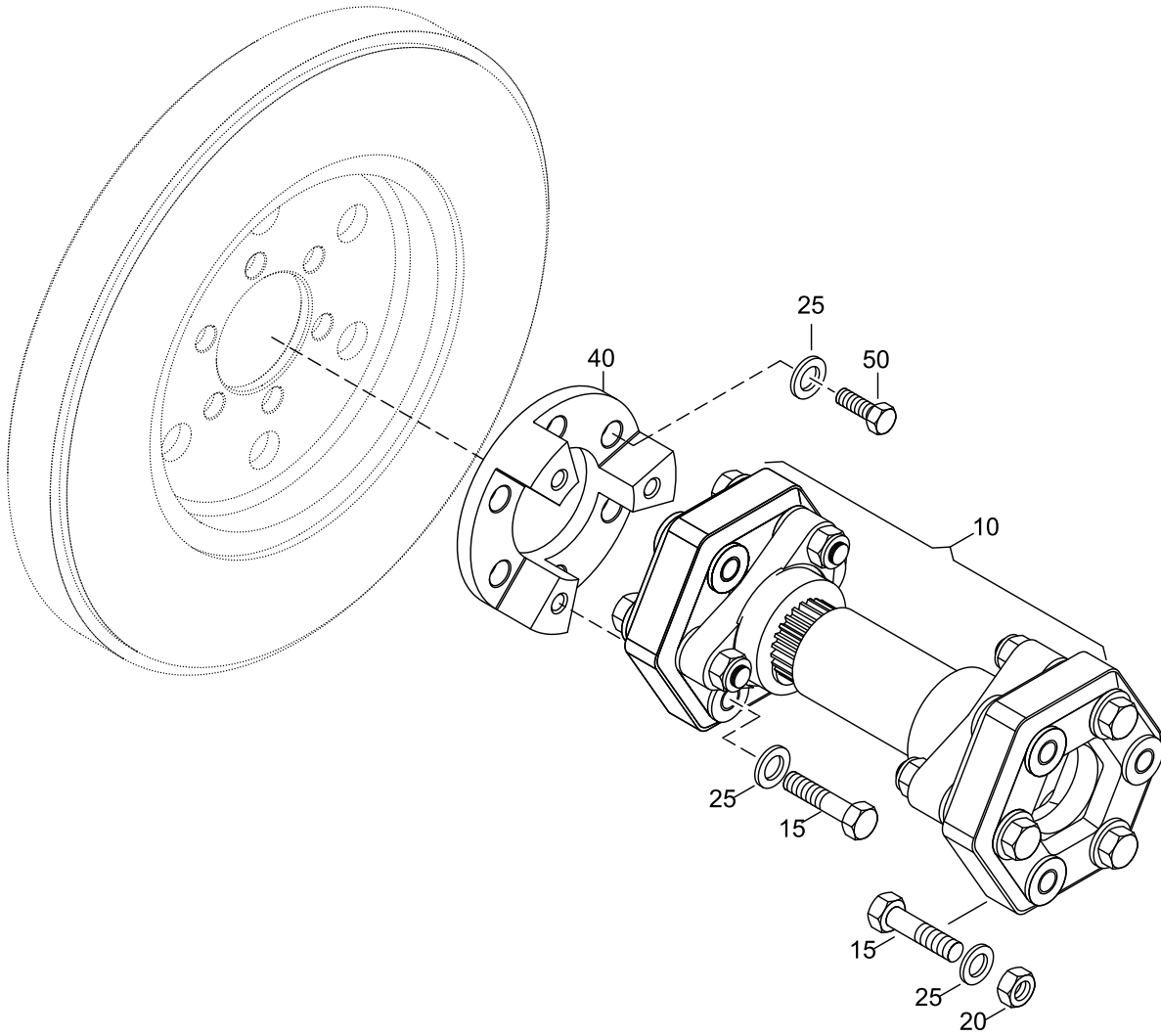


TA 0109

**SE236 S36**  
**MARINE**

POWER TAKE OFF FRONT

01096184-0







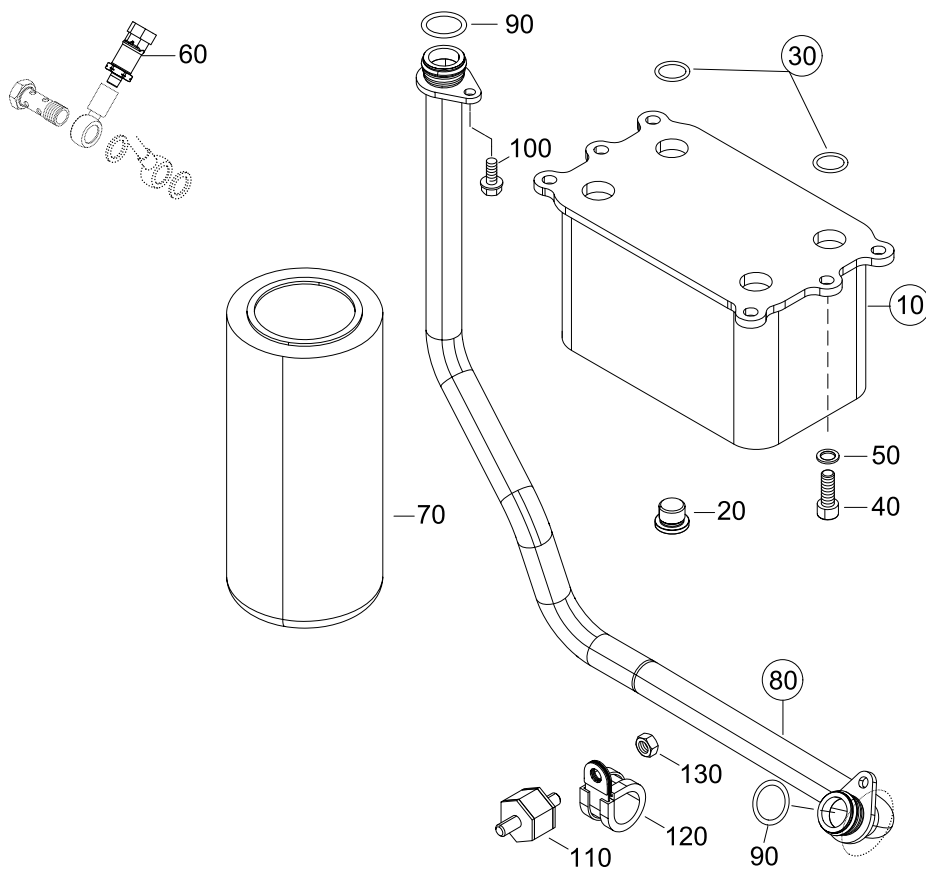


TA 0113

**SE236 536**  
**MARINE**

**OILCOOLER, OILFILTER**

01136284-0





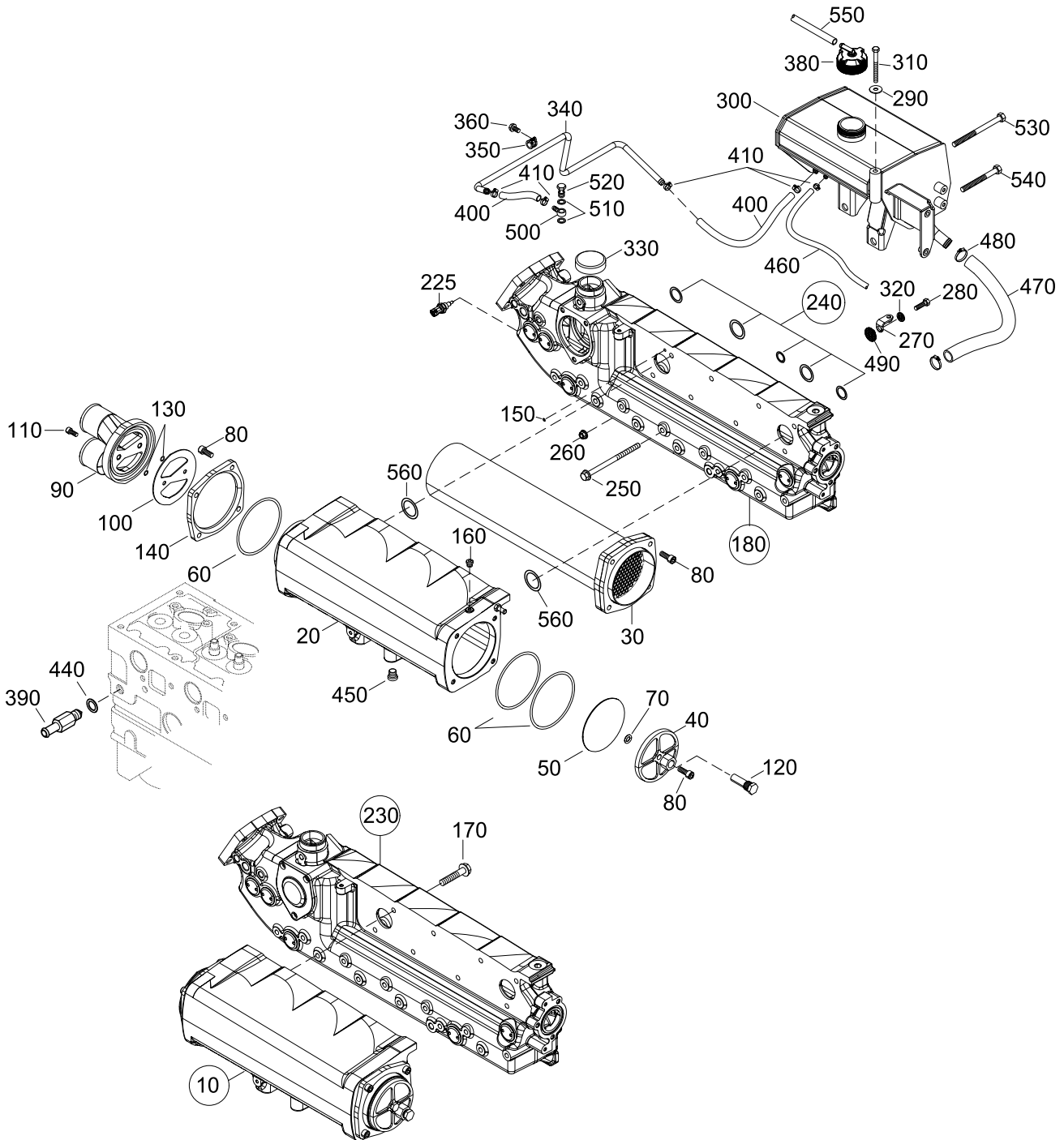


TA 0114

**SE236 S36**  
**MARINE**

**EXHAUST, HEAT EXCHANGER, GASKETS**

01146284-0





**EXHAUST, HEAT EXCHANGER, GASKETS**

**SE236 S36  
MARINE**

01146284-0

Pos.	Part.-No.	Qty	Designation	Step
10	Z026115-0	1	HEAT EXCHANGER ASSY. (PAINTED)	.2
20	Z026116-0	1	HEAT EXCHANGER HOUSING (PAINTED)	..3
30	2180883-0	1	HEAT EXCHANGER	..3
40	Z026117-0	1	COVER HEAT EXCHANGER FRONT (PAINTED)	..3
50	2180885-0	1	GASKET, HEAT EXCHANGER COVER	..3
60	9001129-0	3	O-RING	..3
70	9001130-0	1	O-RING	..3
80	9001128-0	9	HEX.SOCK. HD.CAP SCR. DIN 912-M8x25-A2-70	..3
90	2181092-0	1	COVER, HEAT EXCHANGER	..3
100	2181093-0	1	GASKET, HEAT EXCHANGER COVER	..3
110	9001088-0	2	HEX.SOCK. HD.CAP SCR. DIN 912-M6x25-A2-70	..3
120	2181091-0	1	ZINC ANODE	..3
130	9001181-0	2	O-RING	..3
140	2181090-0	1	FLANGE PLATE, HEAT EXCHANGER	..3
150	2173533-0	1	O-RING 5,23 x 2,62	.2
160	9000585-0	1	HEX.SOCK.SCR.PLUG WITH RUBBER SEAL M10x1	.2
170	9000304-0	8	HEX.FLANGE BOLT EN 1665-M8x60-8.8-A2C	.2
180	Z026114-0	1	EXHAUST MANIFOLD ASSY. (PAINTED)	.2
225	2180773-0	1	COOLANT TEMPERATURE SENSOR	.2
230	Z026118-0	1	EXHAUST MANIFOLD ASSY. W. THERMOSTAT (PAINTED)	.2
240	Z002652-0	1	SEAL KIT, EXH.MANIF - BLOCK 6 CYL.MARINE (O-RINGS)	.2
250	9000785-0	12	HEX.FLANGE BOLT EN 1665-M8x135-12.9-A2C	.2
260	3880049-0	3	HEX.FLANGE NUT DIN 6923-M6-A2-70	.2
270	2181222-0	1	BRACKET EXPANSION TANK	.2
280	9001088-0	1	HEX.SOCK. HD.CAP SCR. DIN 912-M6x25-A2-70	.2
290	9000012-0	1	WASHER LARGE SERIES DIN 9021-6.4-140HV-A2	.2
300	Z026156-0	1	EXPANSION TANK	.2
310	3800223-0	1	HEX.HD.SCR. ISO 4017-M6x60-A2-70	.2
320	2201540-0	3	WASHER, W. KNITTED WIRE MESH	.2
330	Z021020-0	1	SEALING CAP COOLER	.2
340	2180828-0	1	PIPE WATER EXPANSION TANK	.2



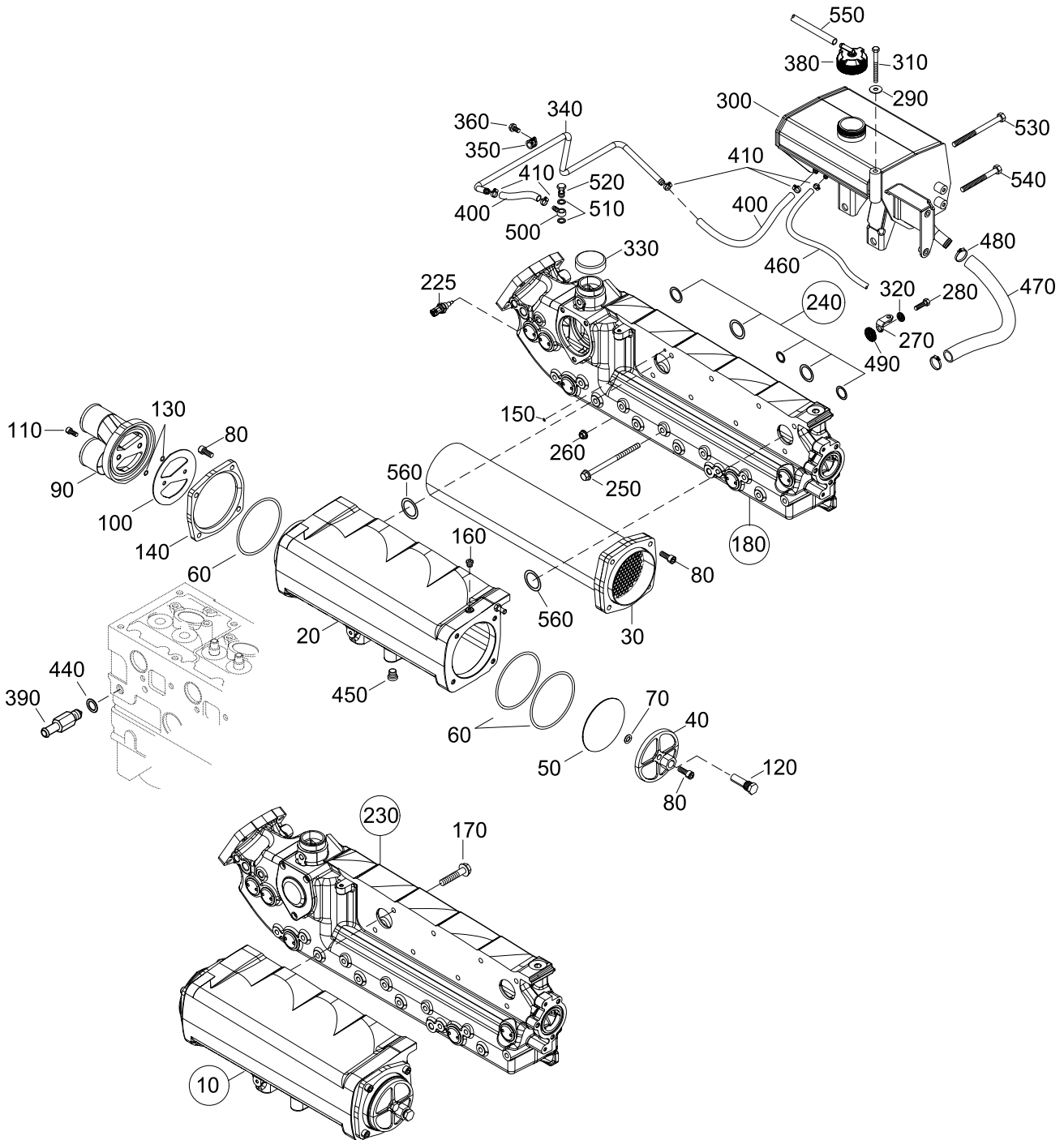


TA 0114

**SE236 S36**  
**MARINE**

**EXHAUST, HEAT EXCHANGER, GASKETS**

01146284-0





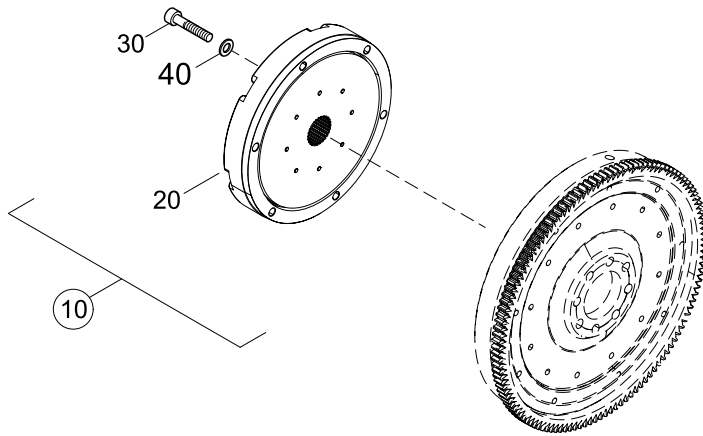


TA 0200

**SE236 S36**  
**MARINE**

**TORSIONAL COUPLING**

02006284-0







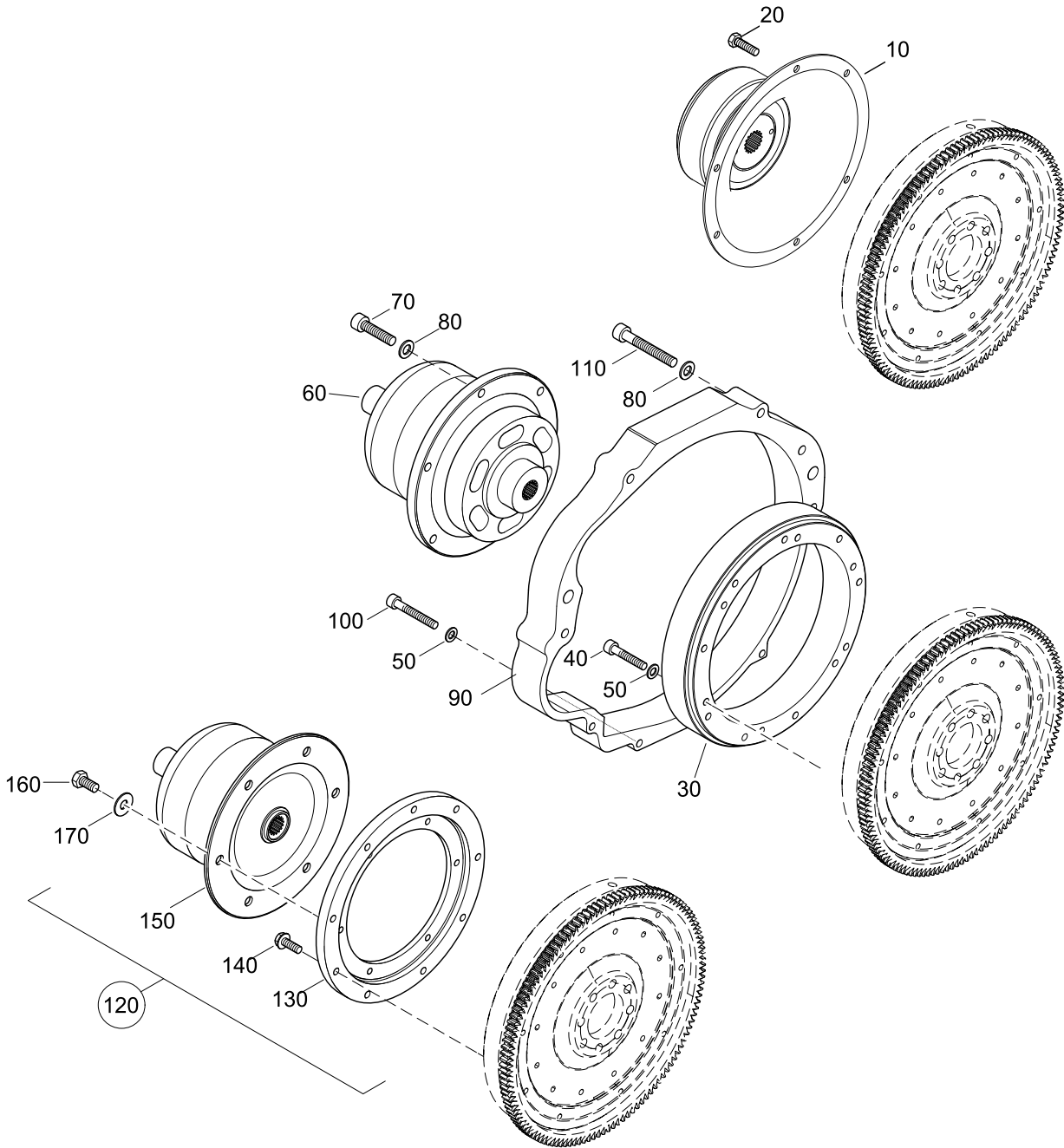


TA 0210

**SE236 S36**  
**MARINE**

**COUPLER**

02106284-0





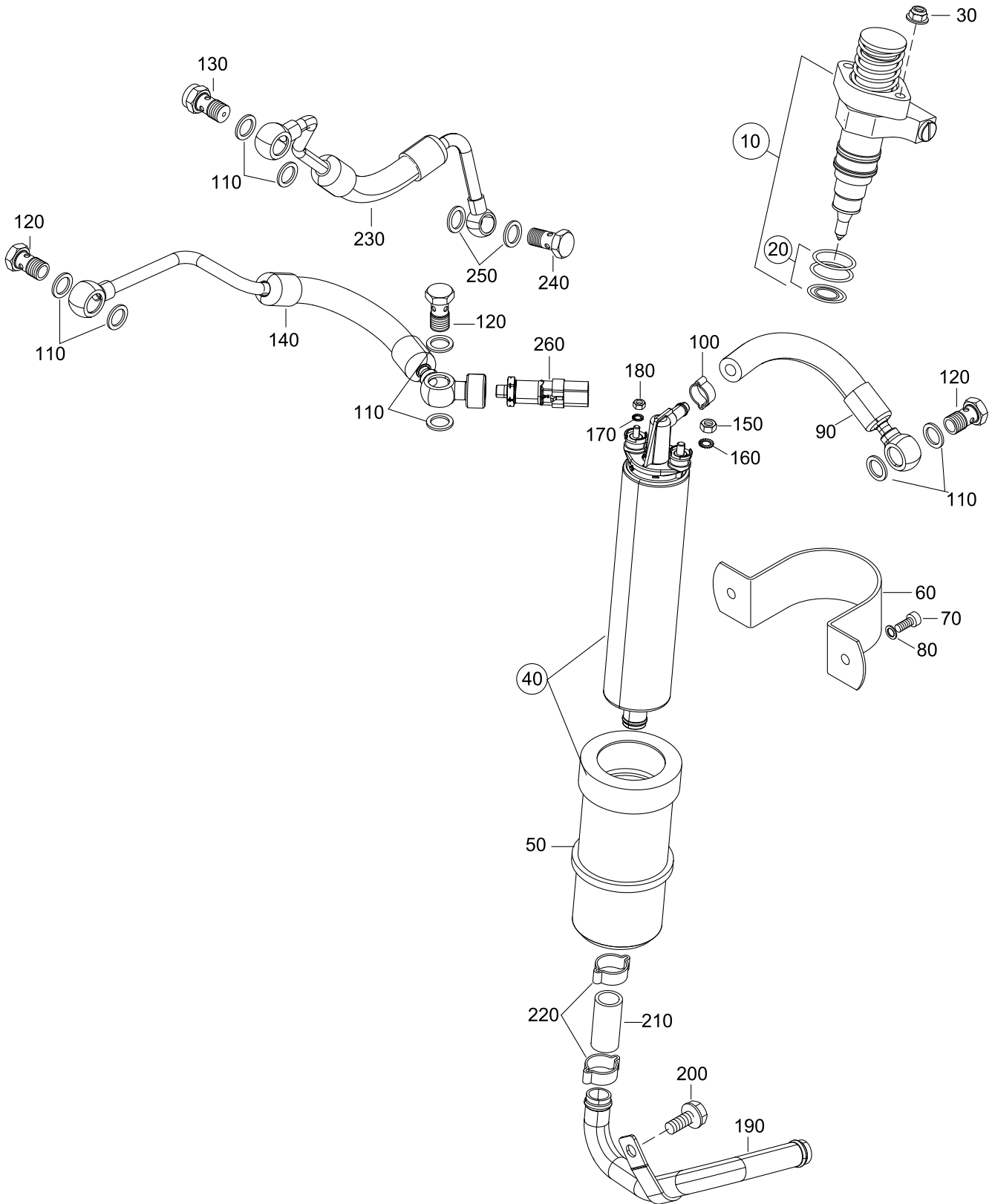


TA 0302

**SE236 S36**  
**MARINE**

FUEL PUMP, UNIT INJECTOR, PIPE

03026284-0





FUEL PUMP, UNIT INJECTOR, PIPE

**SE236 S36**  
**MARINE**

03026284-0

Pos.	Part.-No.	Qty	Designation	Step
10	Z002030-E	6	UNIT INJECTOR + SEALINGS	.2
20	Z002031-0	1	SEAL KIT, UNIT INJECTOR	..3
30	9000056-1	12	HEX.FLANGE NUT DIN 6923-M8-8-A2C	.2
40	2179828-0	1	FUEL PUMP 12V ASSY. (INCL. ISOLATING SLEEVE)	.2
50	2173396-I	1	ISOLATING SLEEVE FUEL PUMP	..3
60	9001071-0	1	CLAMP RS2.53/20-W5	.2
70	9000063-0	2	HEX.SOCK. HD.CAP SCR. DIN 912-M8x20-A2-70	.2
80	3930103-0	2	WASHER DIN 125-8.4-140HV-A2	.2
90	2180865-0	1	FUEL HOSE PUMP-FILTER	.2
100	2178995-0	1	HOSE CLAMP 17,5mm	.2
110	9001171-0	8	BOUNDED SEAL 14x20x1,5	.2
120	9000053-0	3	HOLLOW SCREW M14x1,5 DIN 7643-10-ZN/NI	.2
130	2178572-2	1	HOLLOW SCREW THROTTLED M14x1,5	.2
140	2180891-0	1	FUEL HOSE ASSY.	.2
150	3870050-0	1	HEX.NUT DIN 934-M5-A2-70	.2
160	9000040-0	1	TOOTHED LOCK WASHER EXTERN. DIN 6797-A5.3-1.4310	.2
170	9000039-0	1	TOOTHED LOCK WASHER EXTERN. DIN 6797-A4.3-1.4310	.2
180	3870051-0	1	HEX.NUT ISO 4032-M4-A2-70	.2
190	2180851-0	1	FUEL PIPE	.2
200	9000305-0	1	HEX.FLANGE BOLT EN 1665-M8x20-10.9-DAC	.2
210	2181215-0	1	FUEL SUPPLY HOSE PUMP - FILTER	.2
220	2180670-0	2	HOSE CLAMP 27mm	.2
230	2180892-0	1	FUEL HOSE ASSY. BLOCK - COOLER	.2
240	11868	1	HOLLOW SCREW M12x1,5 DIN 7643-8-3-A3C	.2
250	9001170-0	2	BOUNDED SEAL 12x18x1,5	.2
260	2180804-0	1	PRESSURE SENSOR	.2





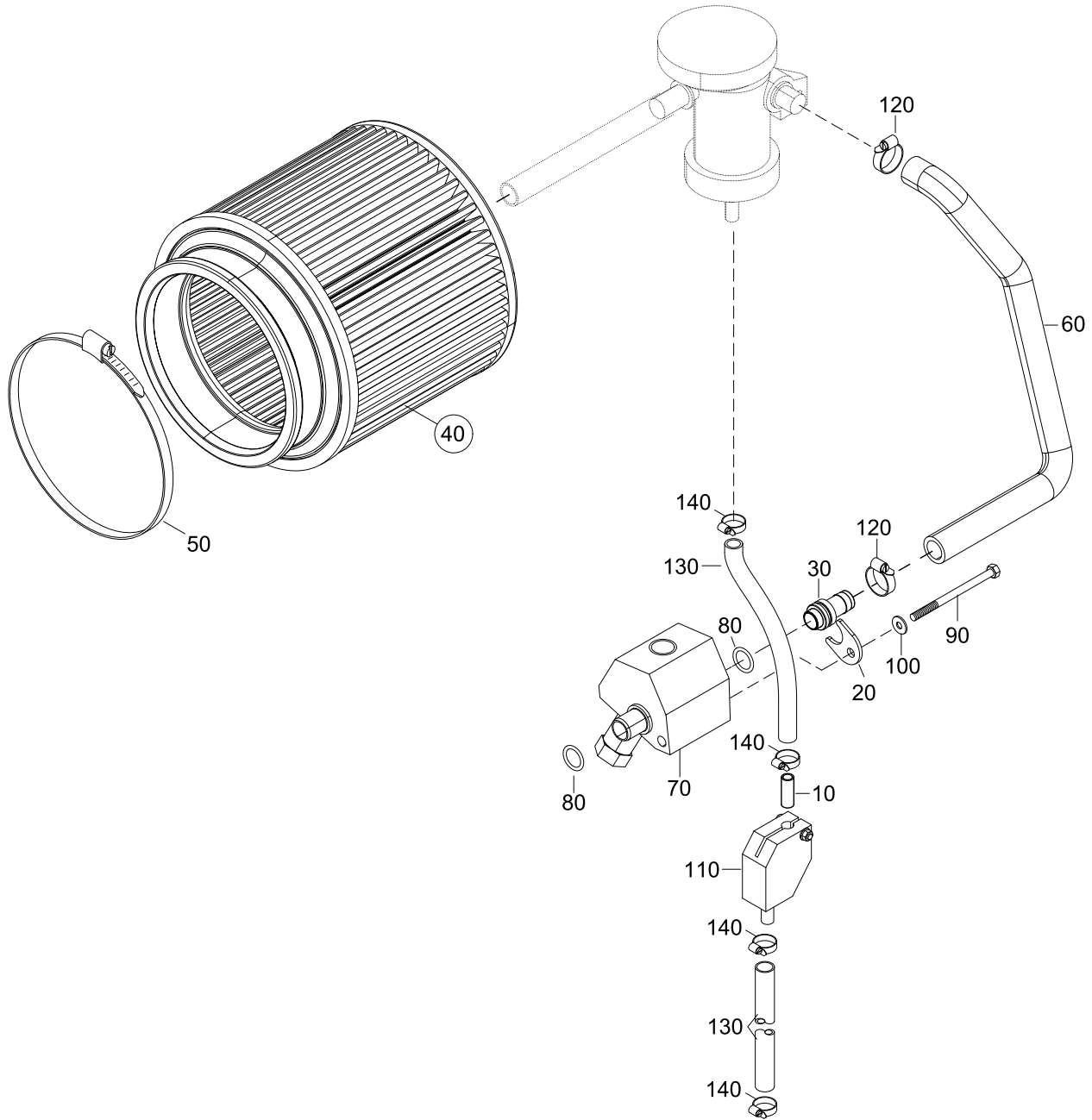
TA 0304



**SE236 S36**  
**MARINE**

**AIRFILTER, INVERSIONVALVE SOLAS**

03046284-0











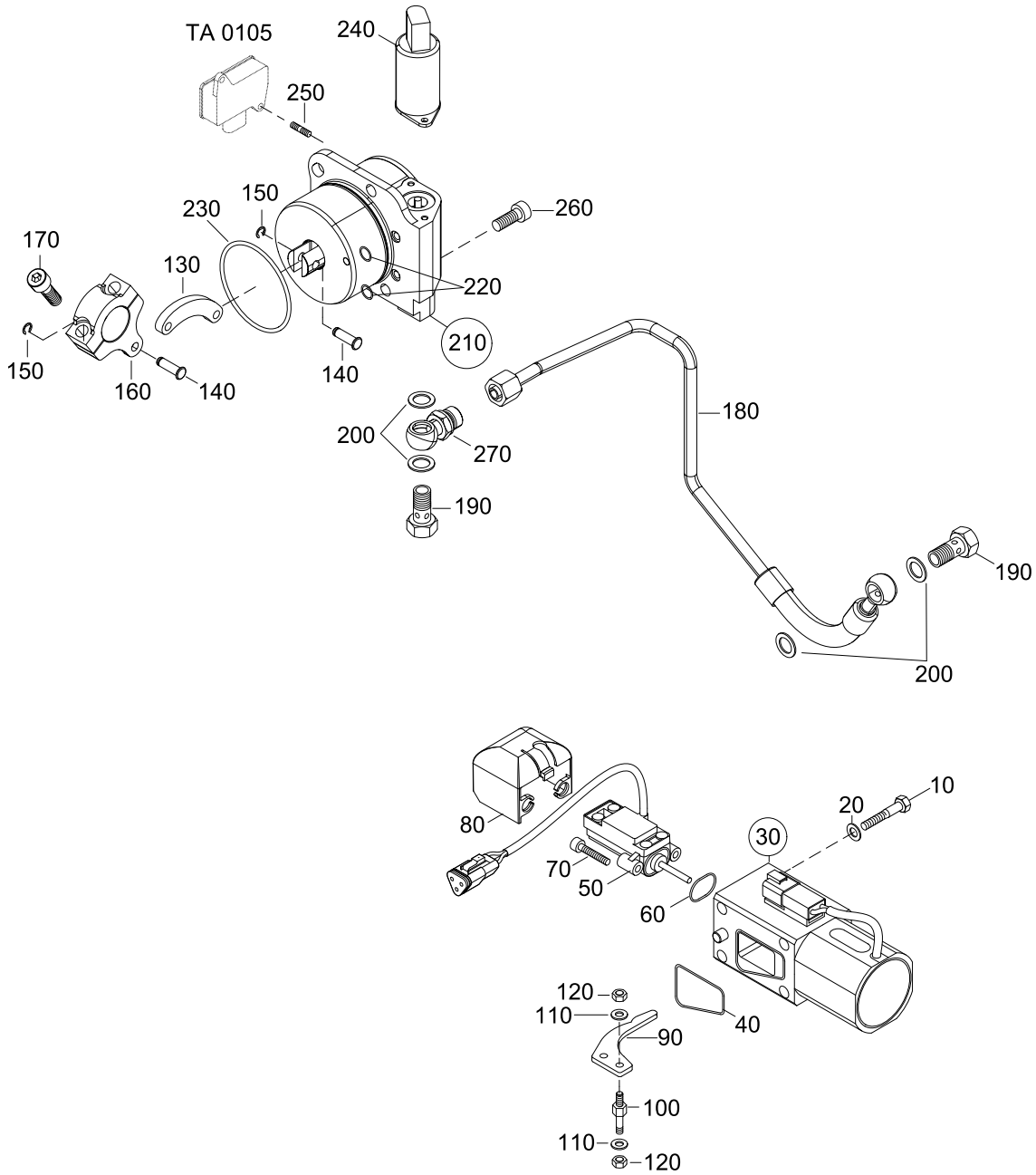


TA 0308

**SE236 S36**  
**MARINE**

CONTR. SOLENOID, INJEC. TIMING DEVICE

03086284-0





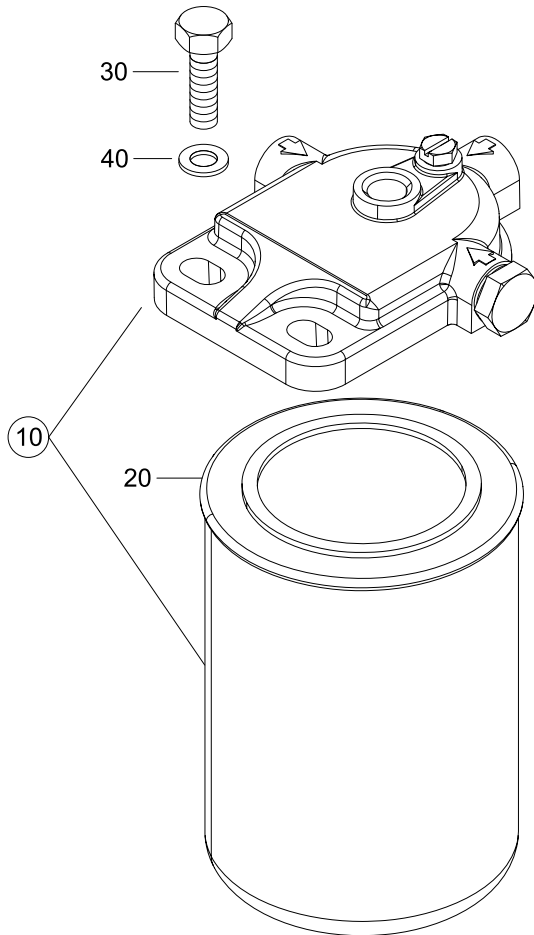


TA 0309

**SE236 S36**  
**MARINE**

FUEL FILTER

03096284-0





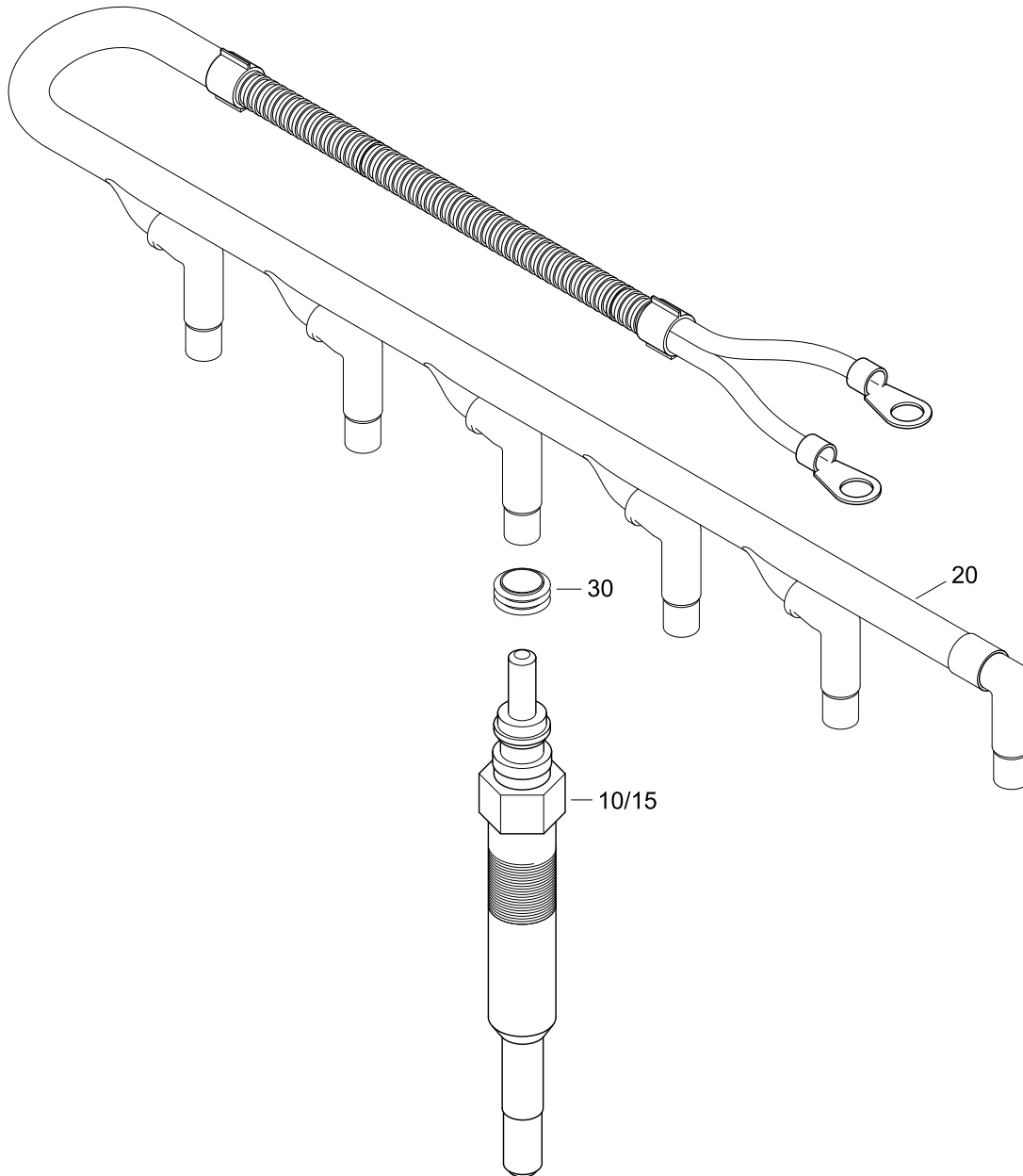


TA 0311

**SE236 S36**  
**MARINE**

GLOW PIN

03116084-0





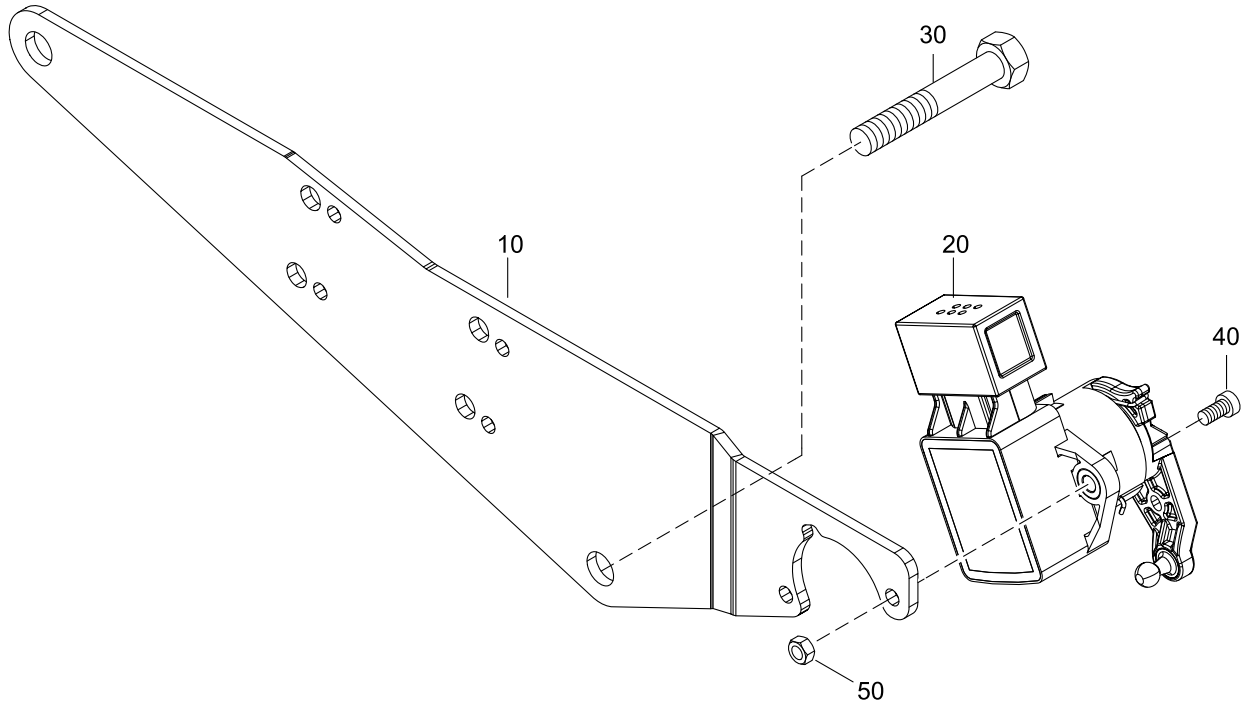


TA 0312

**SE236 536**  
**MARINE**

POTENTIOMETER ACCELERATOR

03126284-0







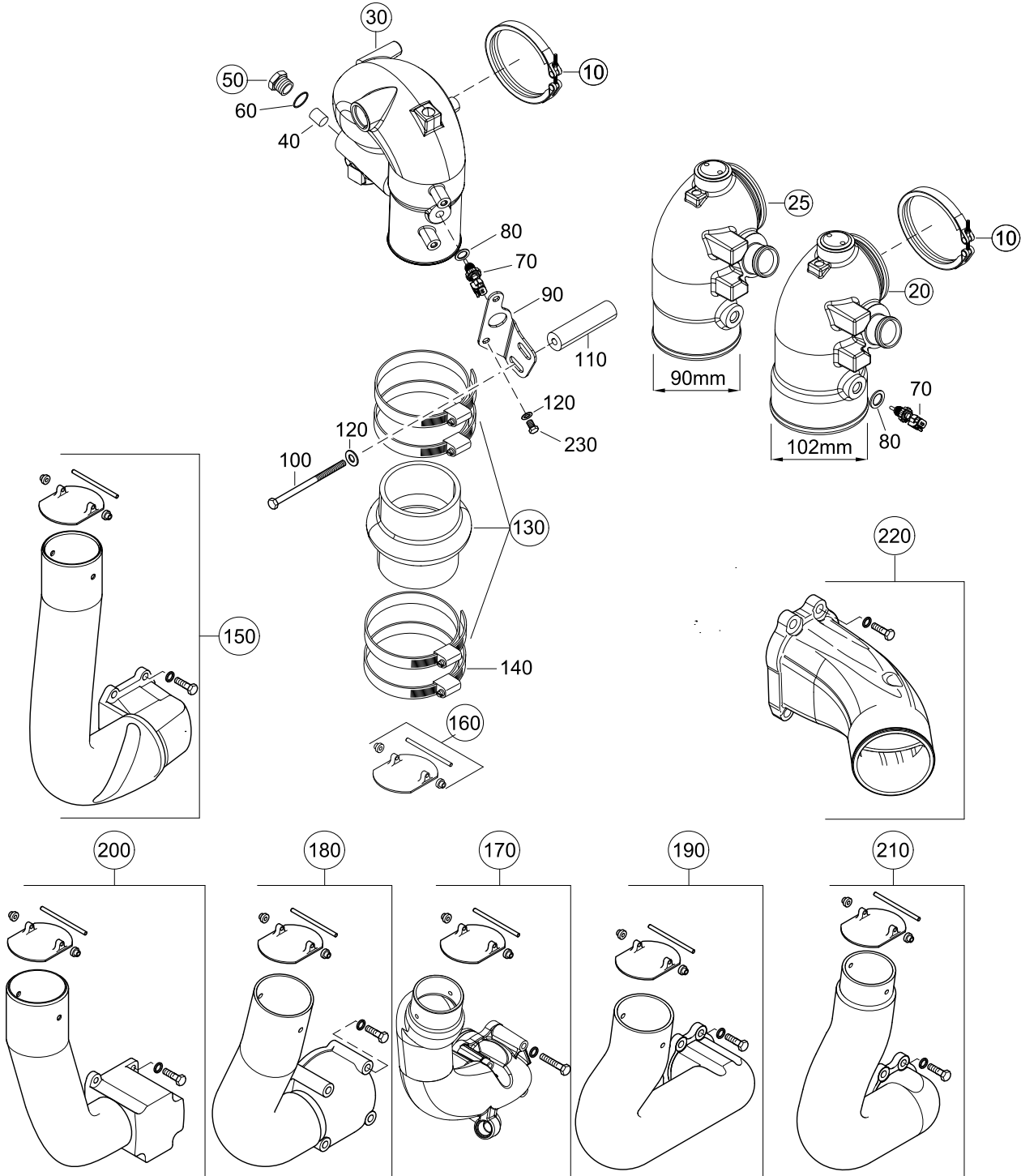


TA 0401

**SE236 S36**  
**MARINE**

**HIGH RISER, EXHAUSTPIPE**

04016284-0







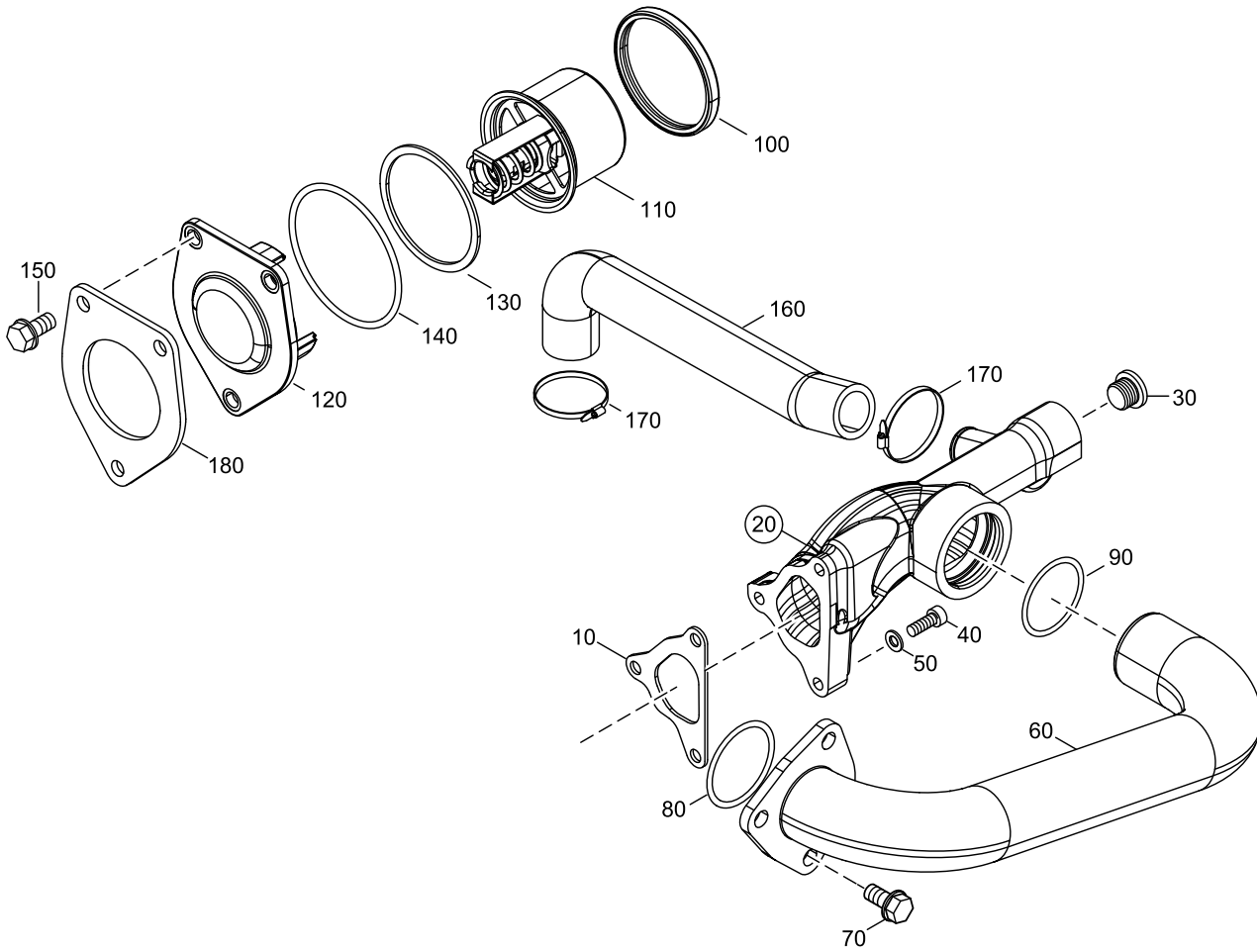
TA 0503



**SE236 S36**  
**MARINE**

**WATERPIPE, THERMOSTAT**

05036284-0





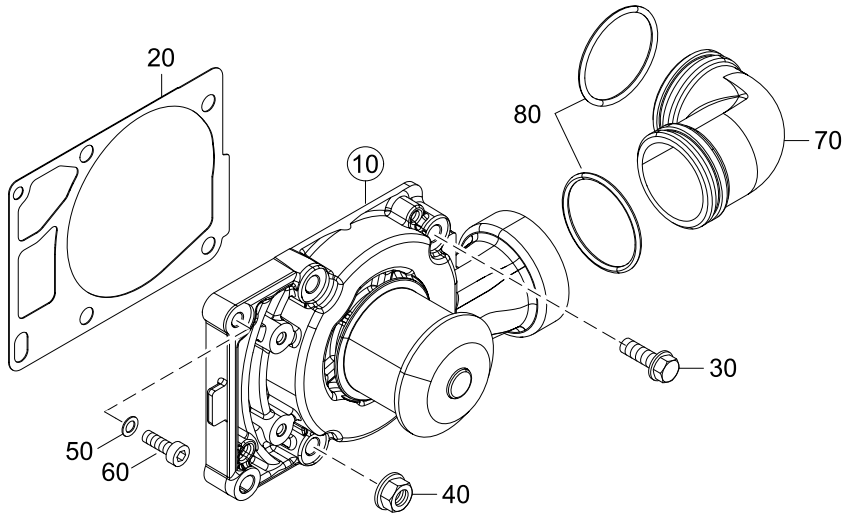


TA 0504

**SE236 S36**  
**MARINE**

**WATERPUMP**

05046284-0





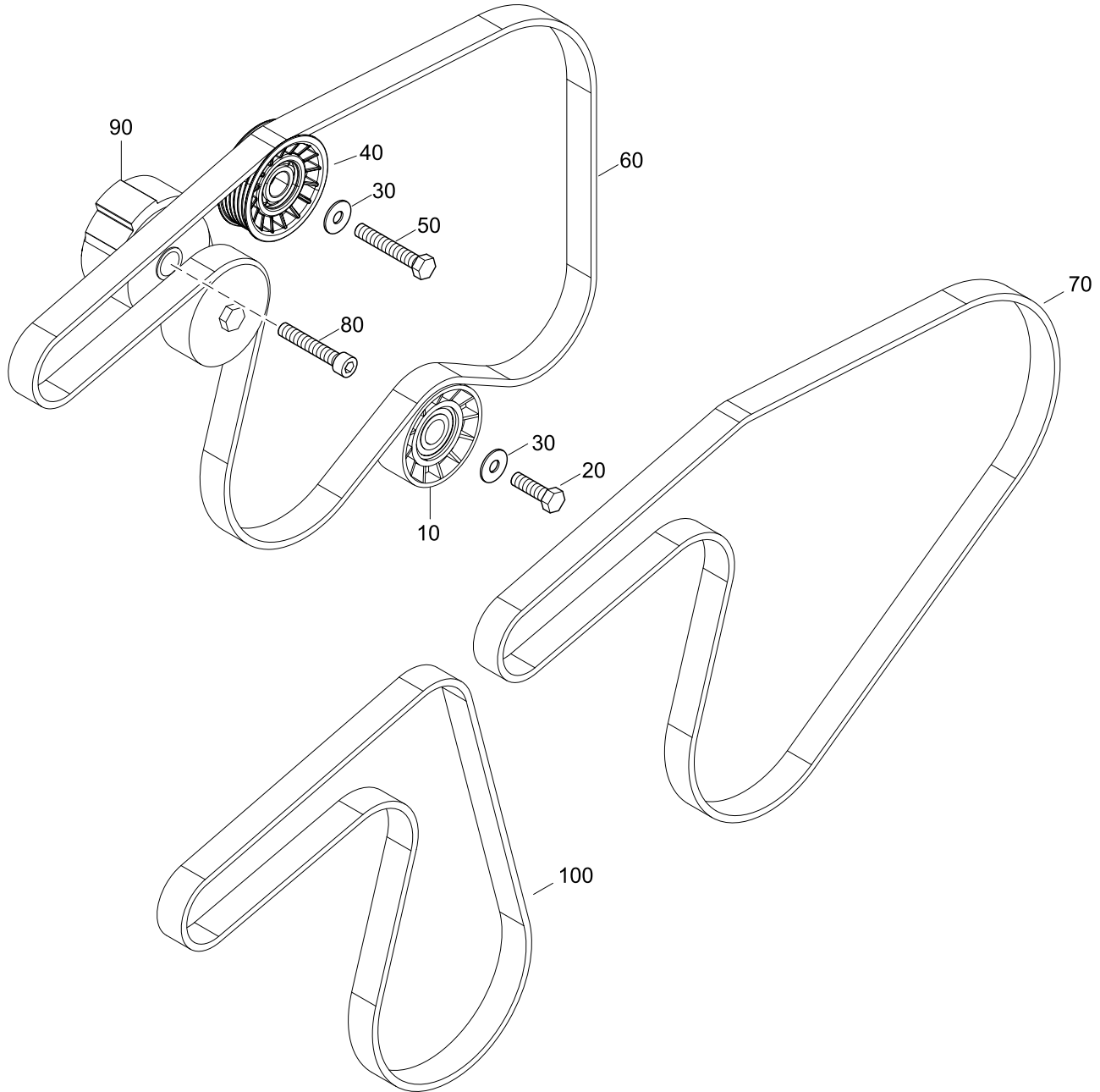


TA 0505

**SE236 S36**  
**MARINE**

**DRIVE BELTS, PULLEYS, TENSIONER**

05056284-0







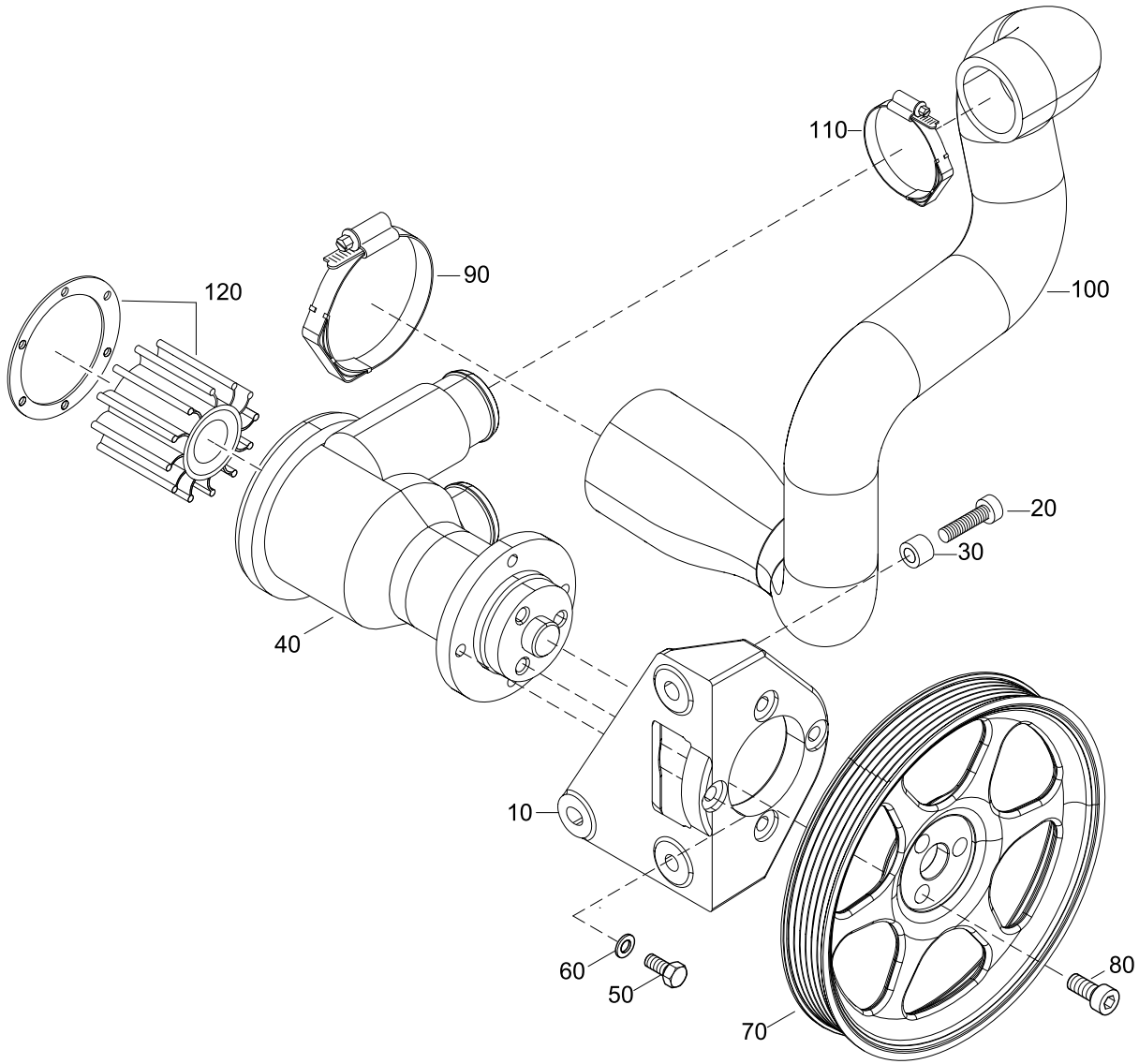


TA 0510

**SE236 S36**  
**MARINE**

**RAW WATER PUMP**

05106284-0







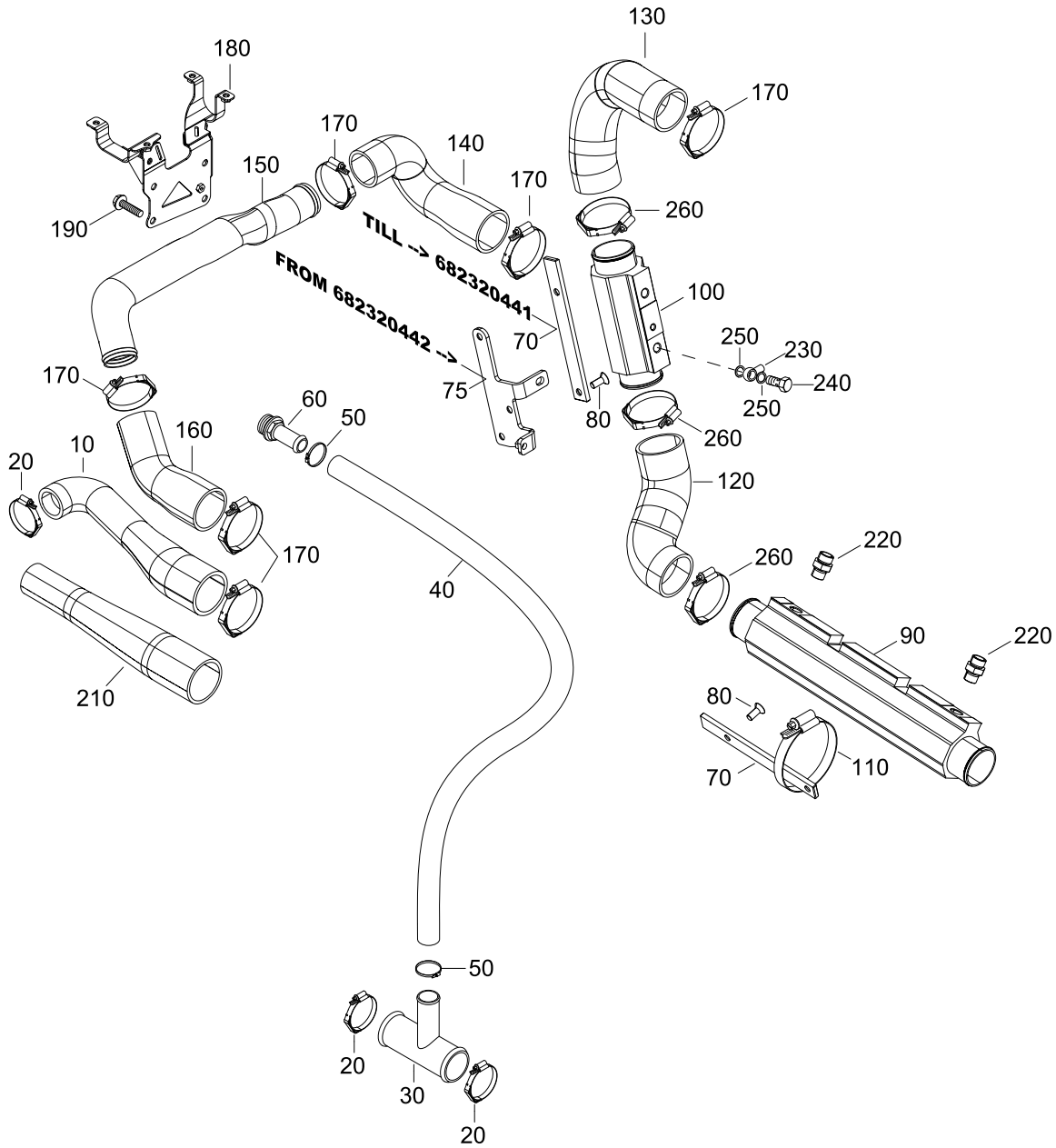
TA 0512



**SE236 S36**  
**MARINE**

**RAW WATER PIPES**

05126284-0





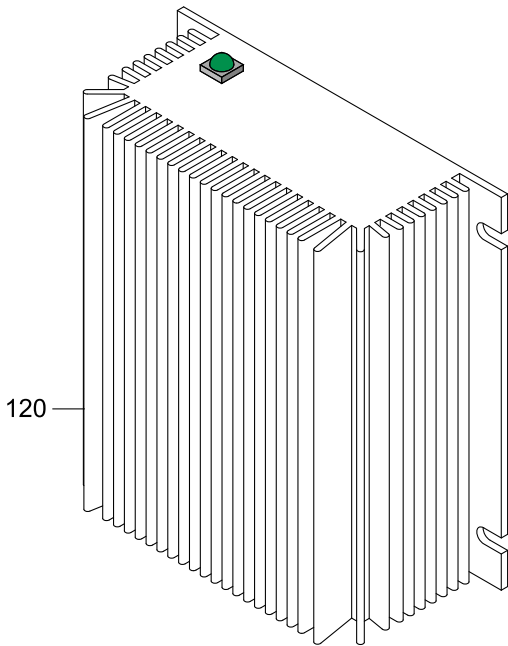
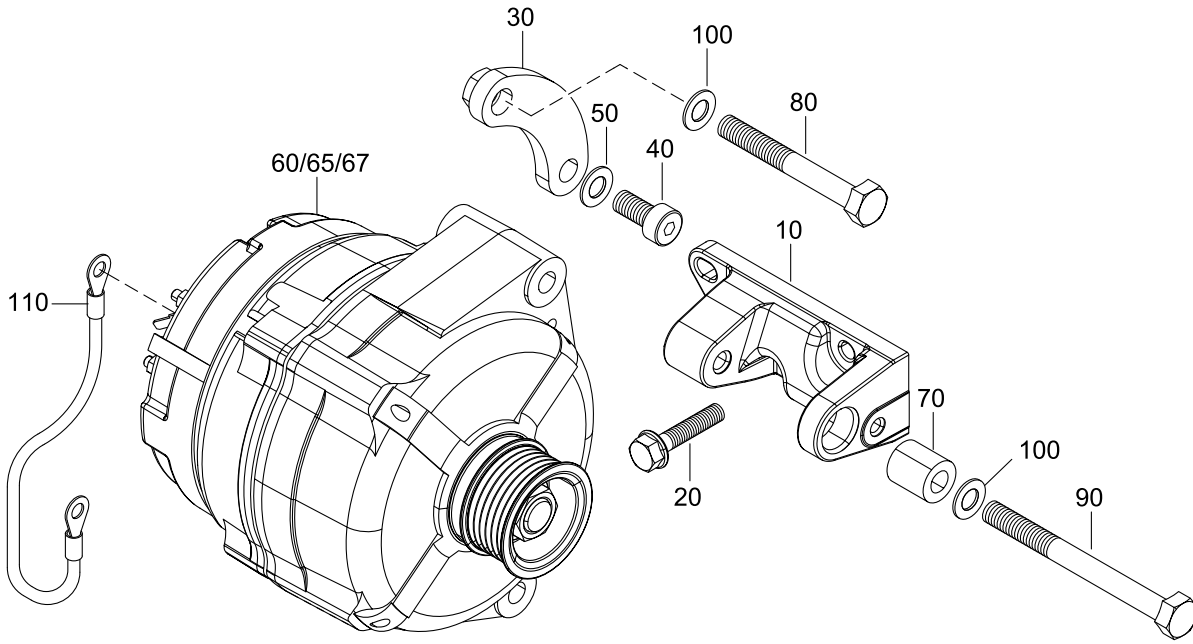


TA 0601

**SE236 S36**  
**MARINE**

ALTERNATOR 14V / 120A

06016284-0







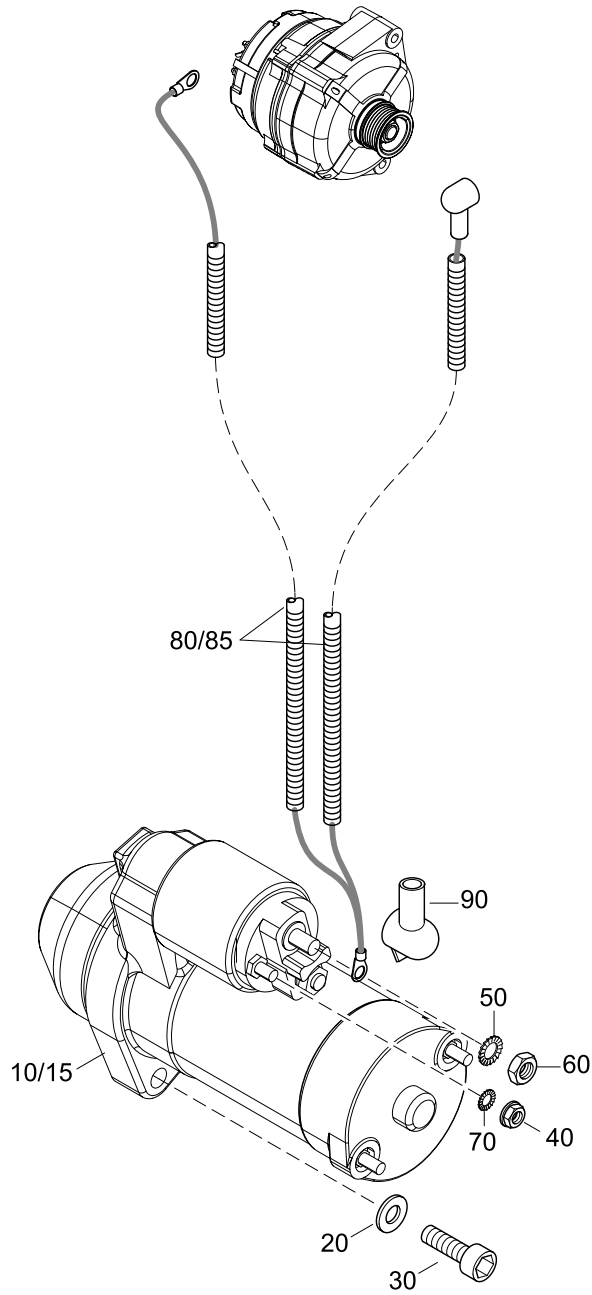
TA 0603



**SE236 S36**  
**MARINE**

**STARTER**

06036284-0







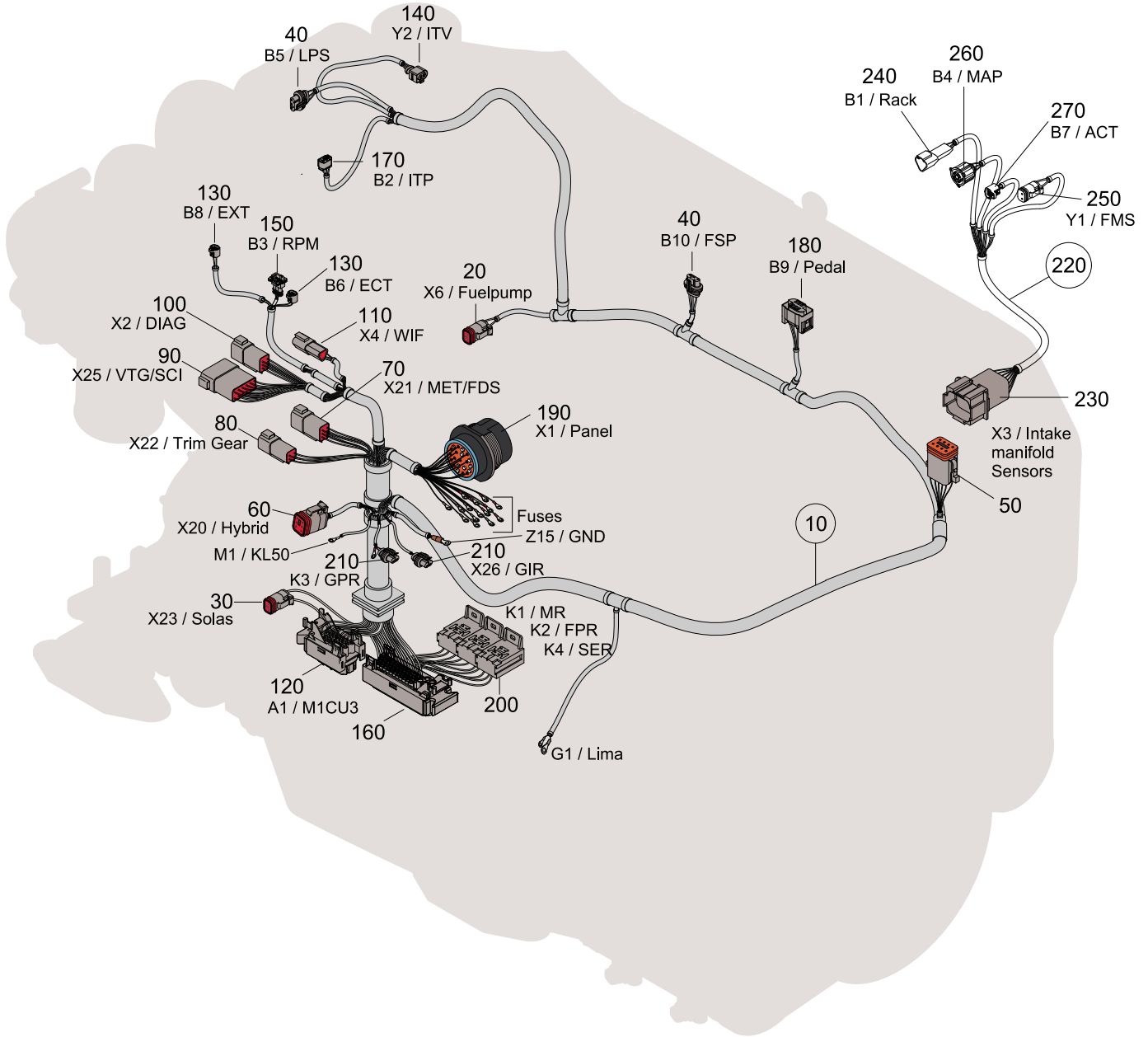


TA 0605

**SE236 S36**  
**MARINE**

**ENGINE HARNESS**

06056284-0







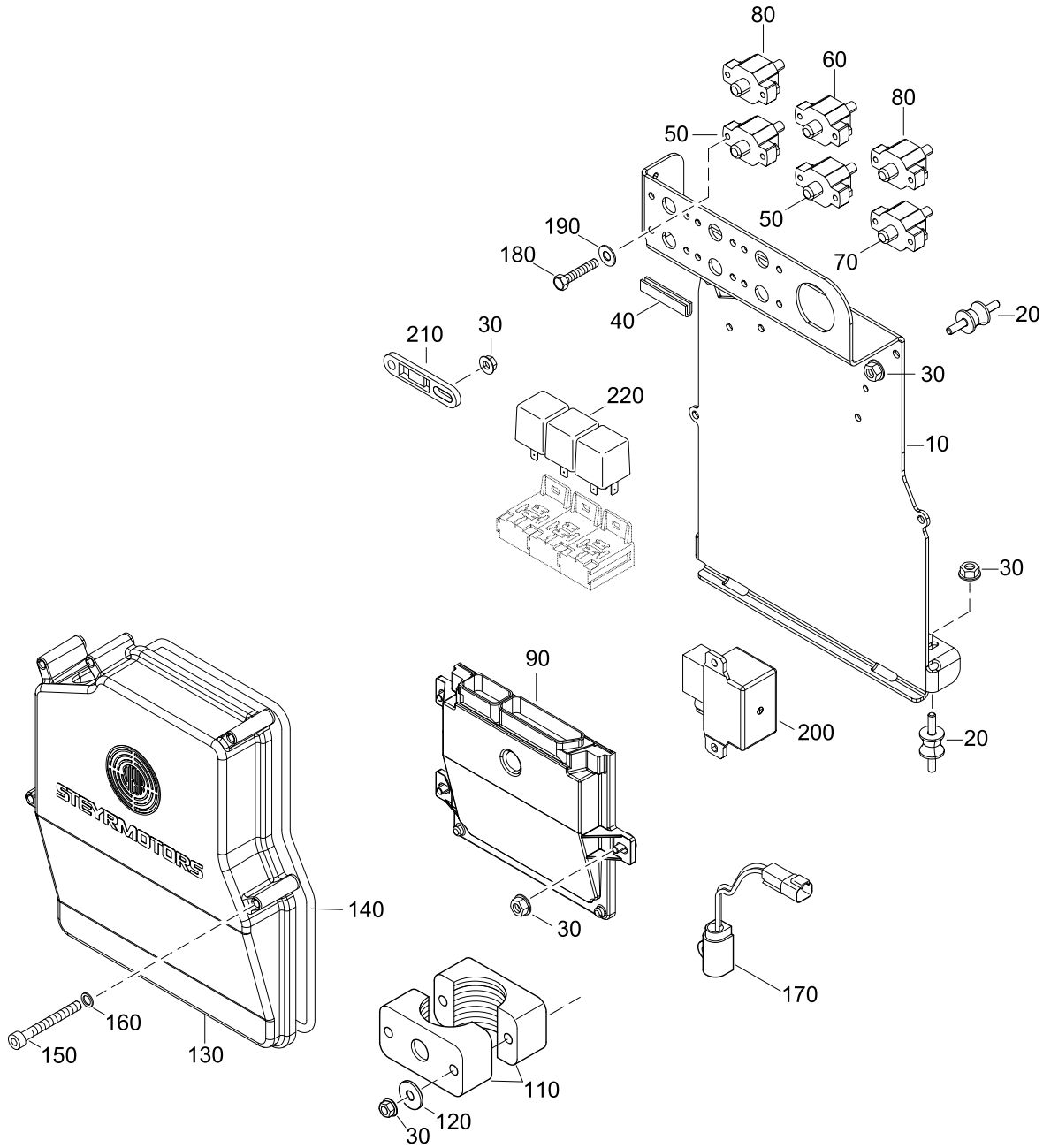
TA 0606



**SE236 S36**  
**MARINE**

**SECURETYSYSTEM, FUSES, ECU, E-BOX**

06066284-5







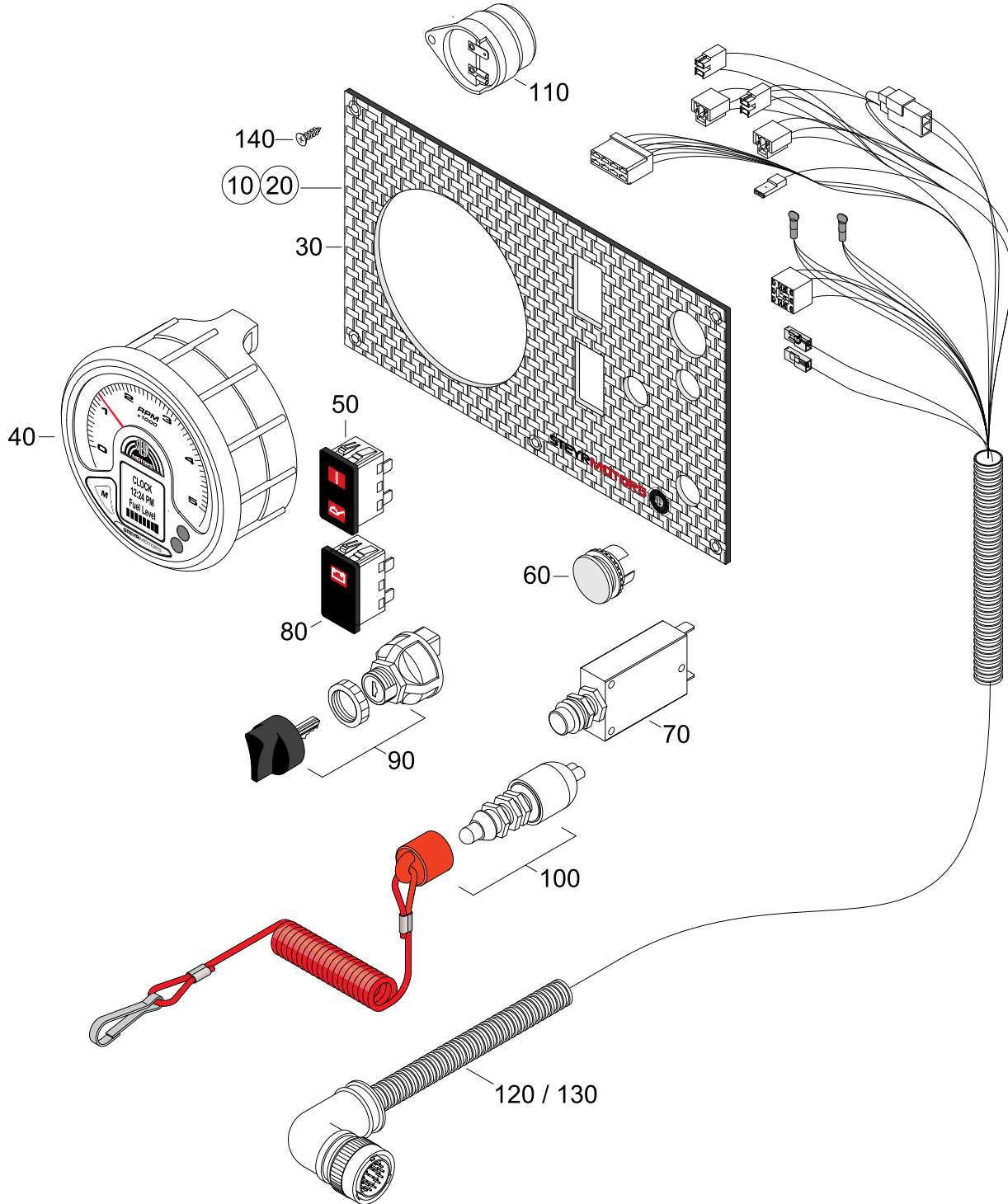
TA 0607



**SE236 S36**  
**MARINE**

**INSTRUMENTPANEL (STANDARD)**

06072184-1







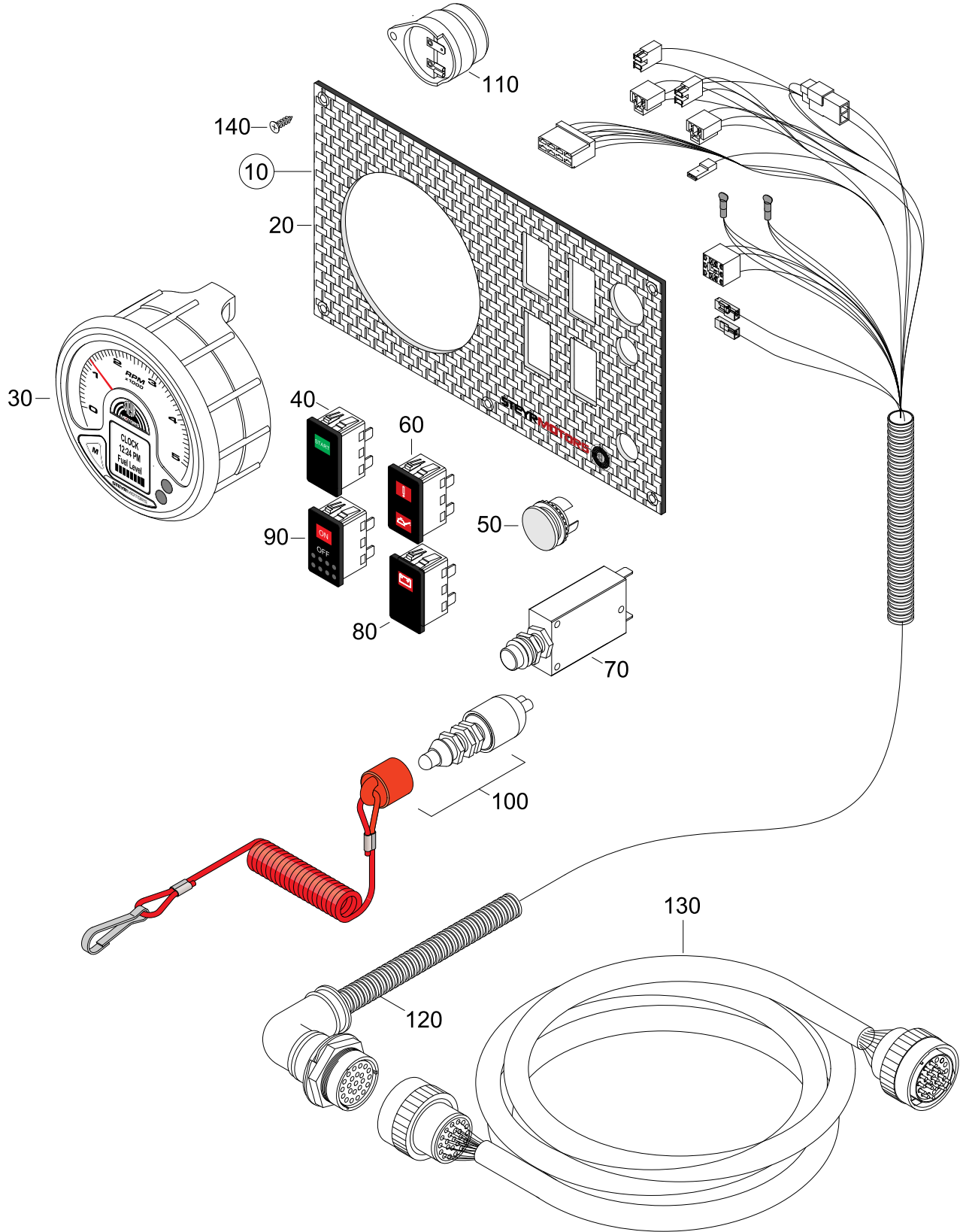
TA 0609



**SE236 S36**  
**MARINE**

**INSTRUMENTPANEL SOLAS (STANDARD)**

06092184-1









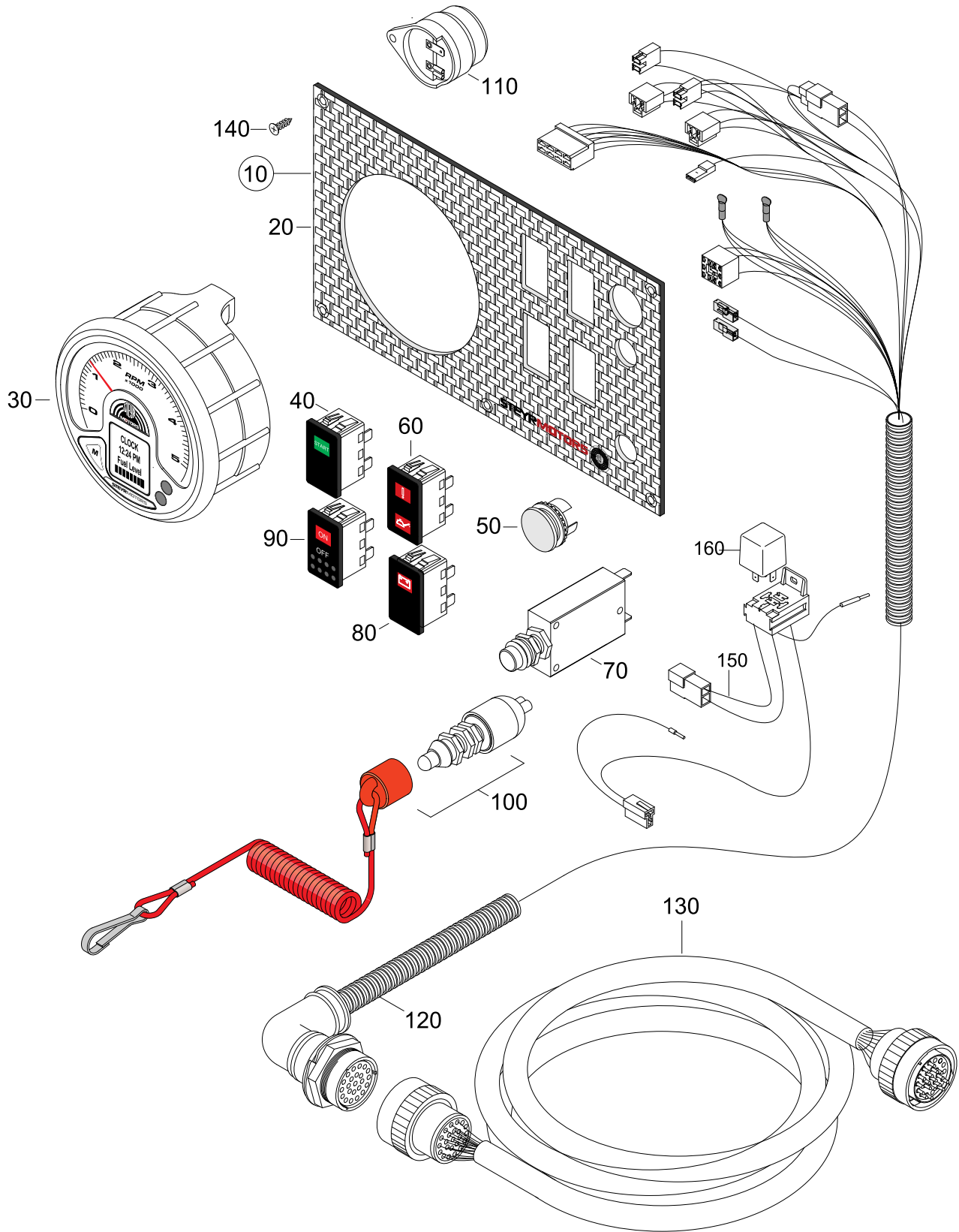
TA 0609



**SE236 S36**  
**MARINE**

**INSTRUMENTPANEL SOLAS 24V**

06092184-2





**INSTRUMENTPANEL SOLAS 24V**

**SE236 S36  
MARINE**

06092184-2

Pos.	Part.-No.	Qty	Designation	Step
10	Z002200-0	1	INSTR. PANEL ASSY. SOLAS 24V	.2
20	2179982-0	1	FRONT PLATE, INSTRUMENT PANEL - SOLAS	..3
30	2179971-0	1	REVOLUTIONCOUNTER	..3
40	Z002198-0	1	START SWITCH, GREEN	..3
50	2179320-0	1	BLIND PLUG, BLACK	..3
60	Z002196-0	1	WARNING LED, CHECK ENGINE & OIL PRESSURE	..3
70	Z002180-0	1	THERMO PROTECTION SWITCH ASSY.	..3
80	Z002197-0	1	WARNING LED, BATTERY CHARGE	..3
90	Z002199-0	1	IGNITION SWITCH	..3
100	2179978-0	1	EMERGENCY CUTOFF SWITCH	..3
110	2178760-1	1	HORN AUDIBLE WARNING	..3
120	2180074-0	1	CABLE ASSY. INSTRUMENT	..3
130	2206291-1	1	INTERMEDIATE CABLE 5m	..3
140	9000817-0	6	CR.REC.COUNT.SUNK HD.TPG.SCR. 3.5x16	..3
150	2180512-0	1	INTERMEDIATE CABLE CHARGE INDICATOR 24V	..3
160	9000183-0	1	RELAY 12V 40A	..3





TA 0610

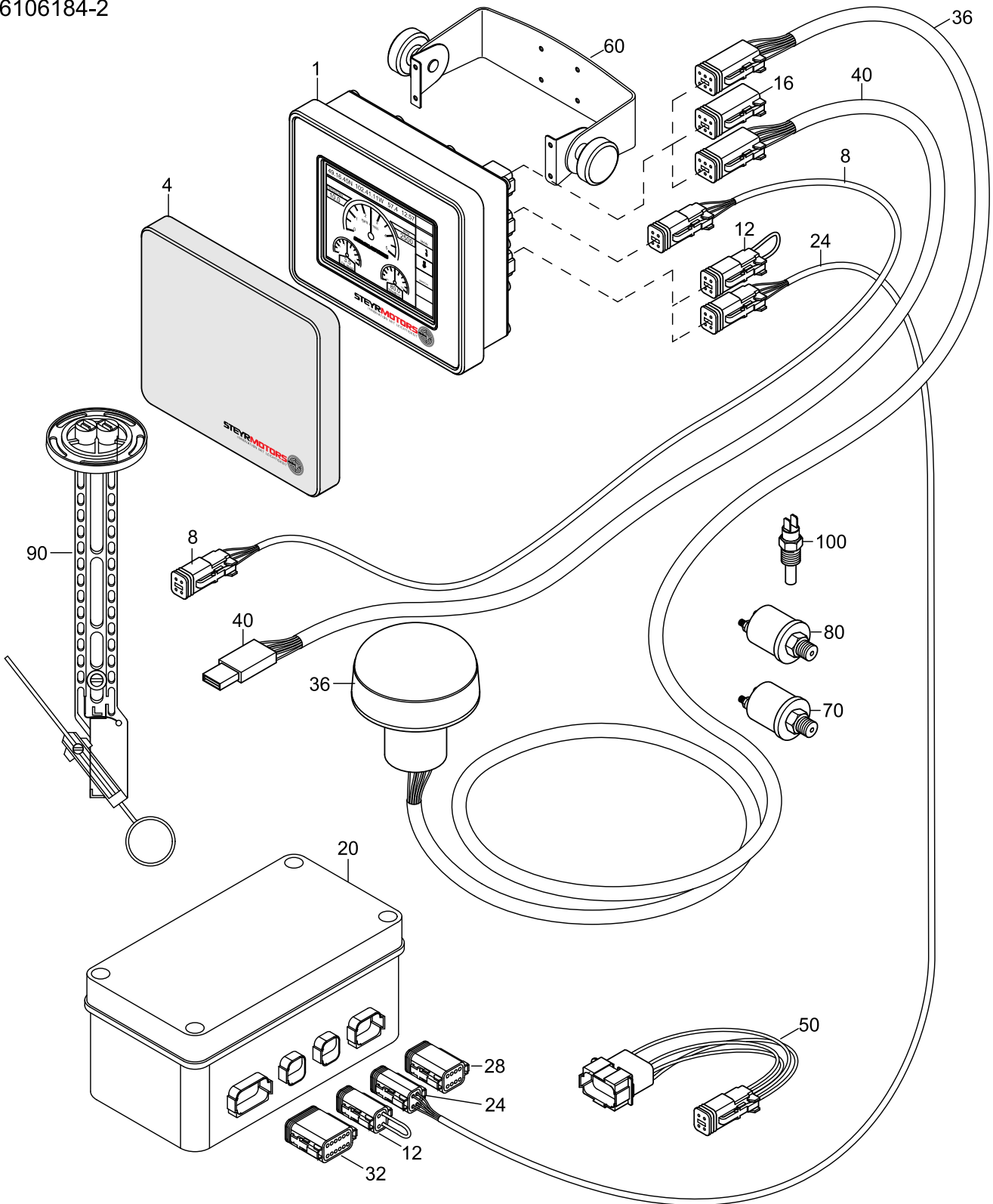
**STEYRMOTORS**  
INNOVATION WITH LIGHTNESS



**SE236 536**  
**MARINE**

SCC-DISPLAY

06106184-2







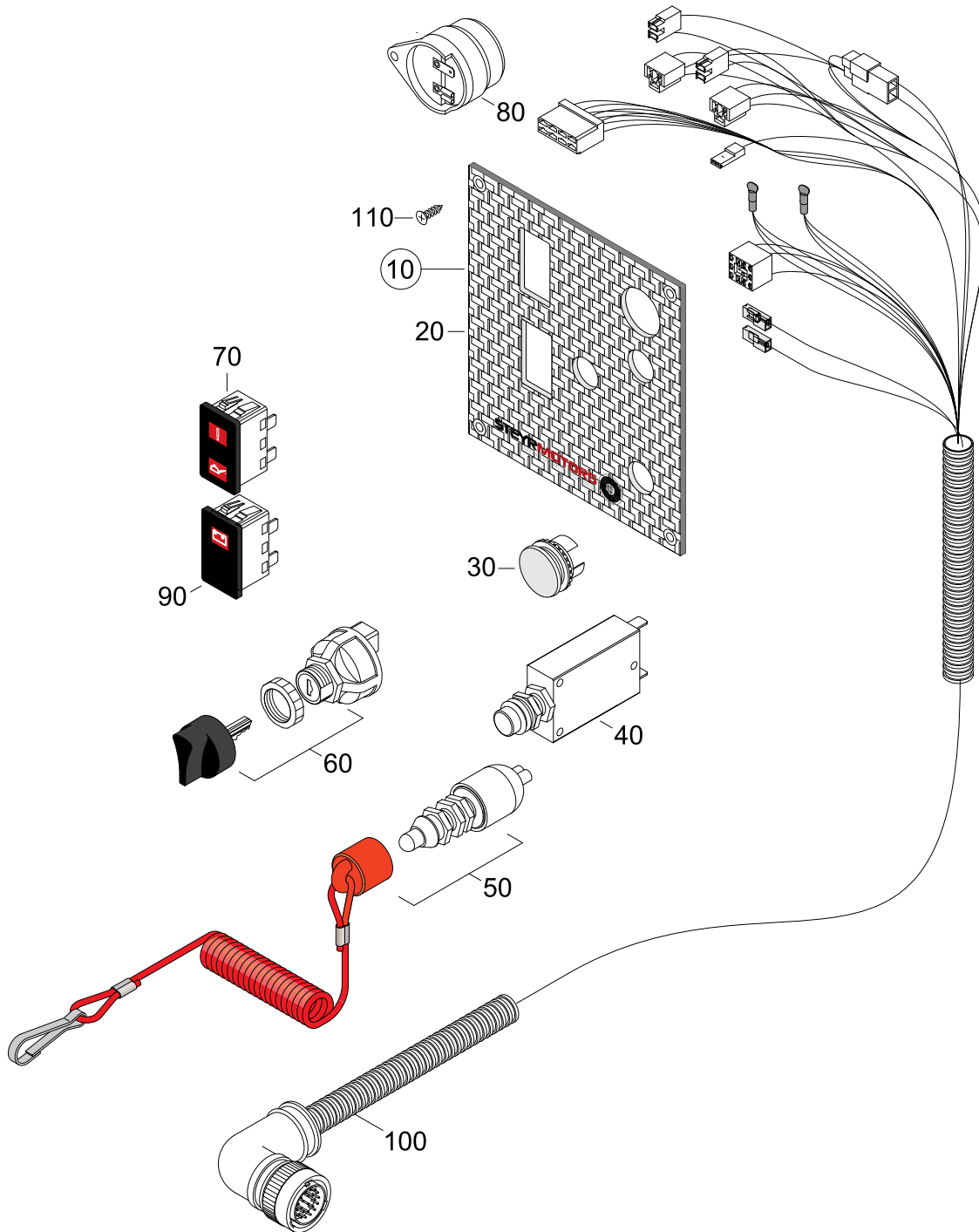
TA 0611



**SE236 S36**  
**MARINE**

**SWITCH PANEL FOR DISPLAY**

06112184-1







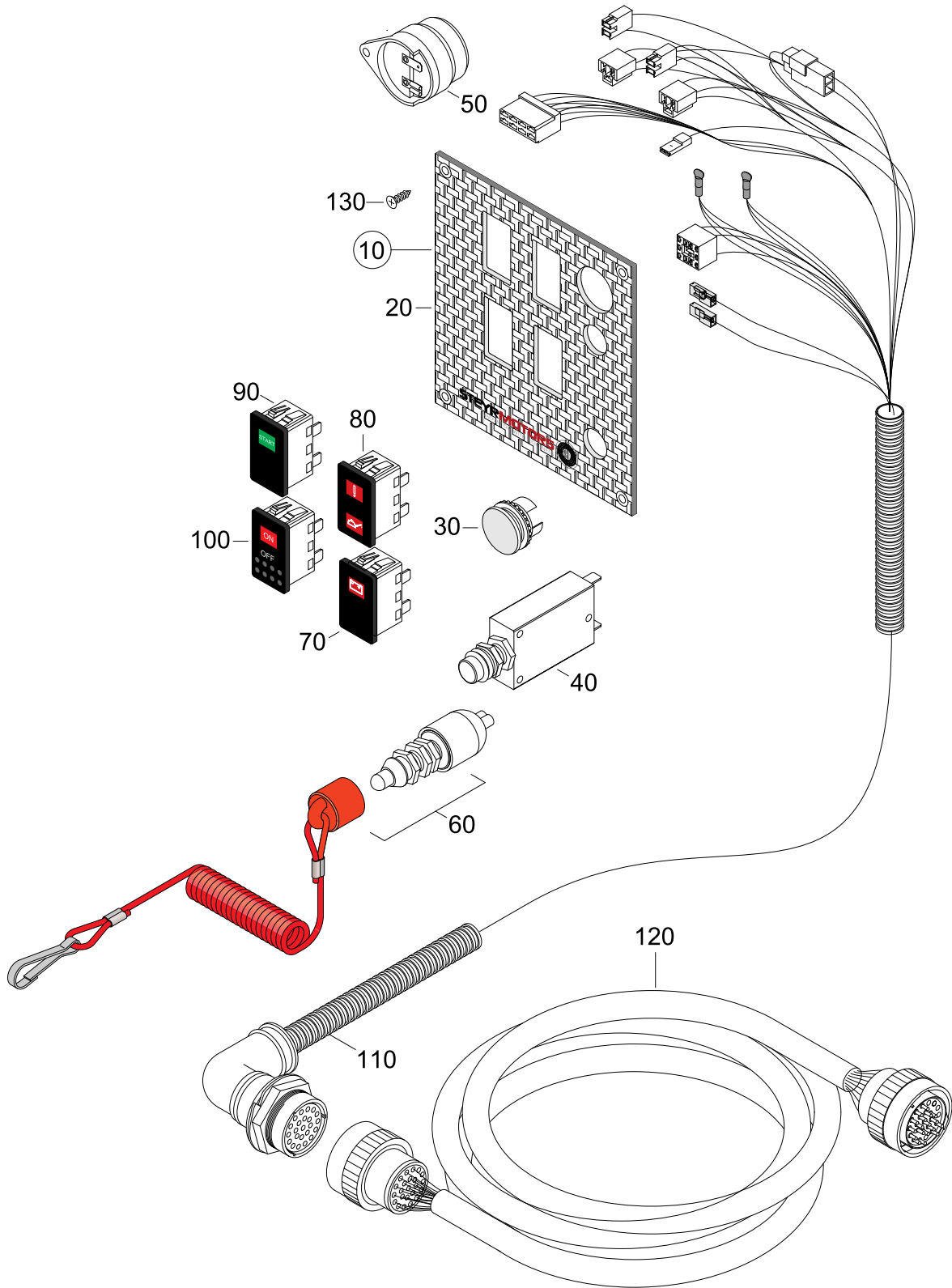
TA 0612



**SE236 S36**  
**MARINE**

**PUSH BUTTON PANEL SOLAS FOR DISPLAY**

06122184-1









TA 0613

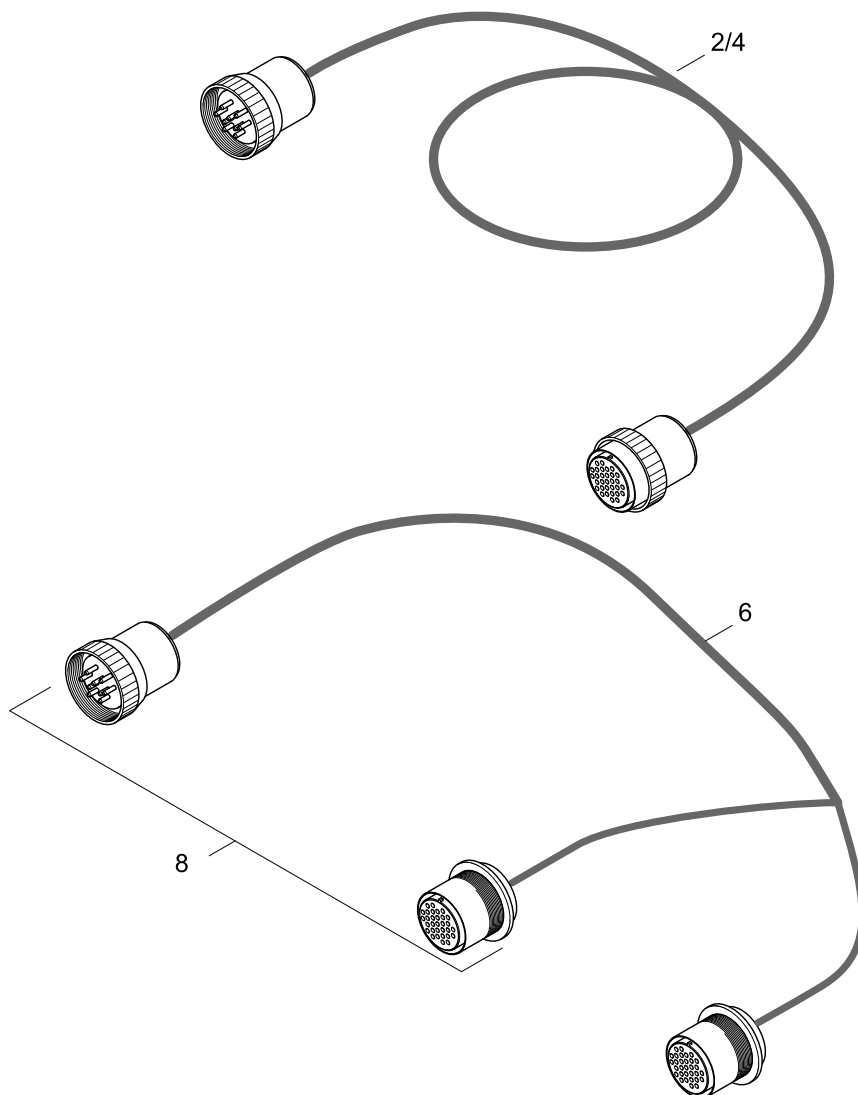


**SE236 536**  
**MARINE**

**EXTENSION CABLE INSTRUMENTS**

06136184-0

**NOTE: NOT COMPATIBLE WITH "SOLAS" INSTRUMENT PANEL**







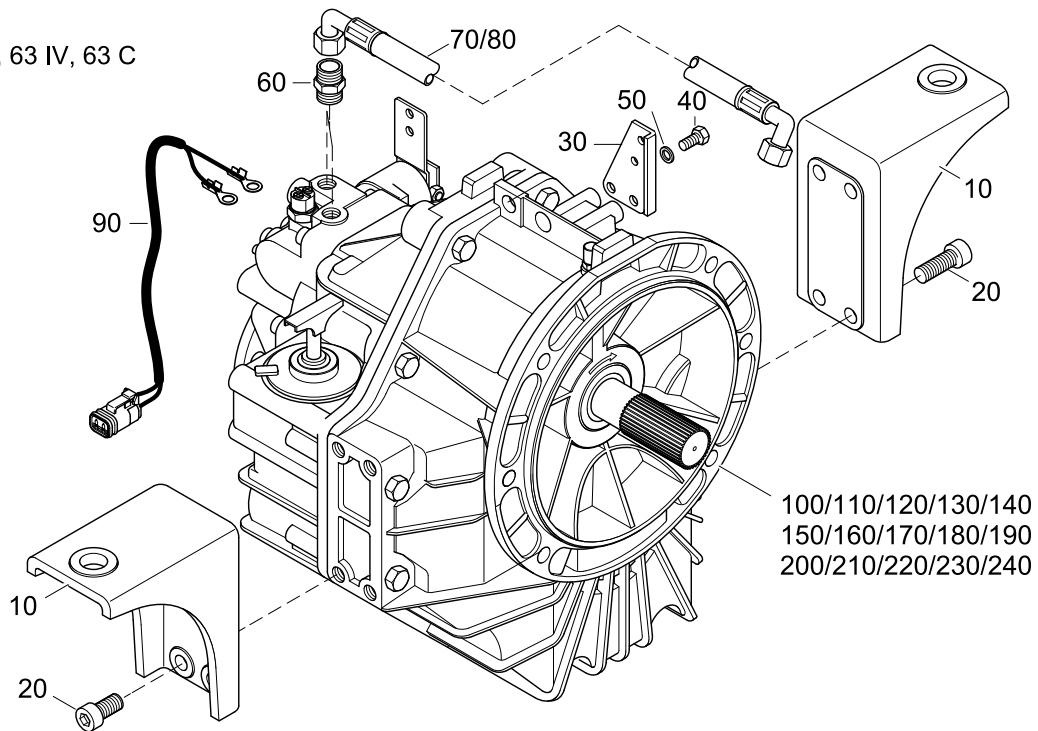
TA 0700

**SE236 S36**  
**MARINE**

TRANSMISS., MOUNTING BRACKETS, PIPES

07006284-0

ZF 63, 63A, 63 IV, 63 C





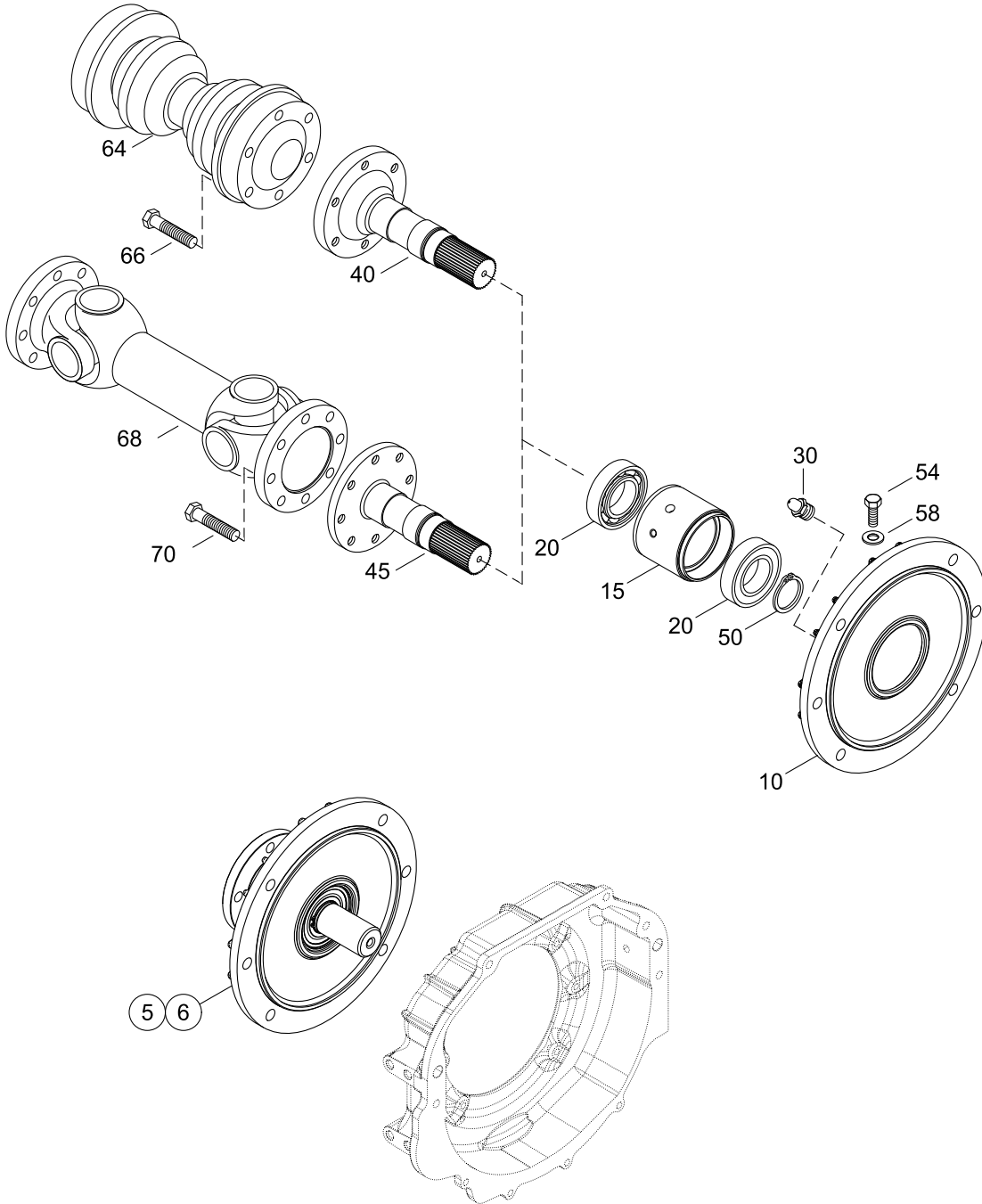


TA 0701

**SE236 S36**  
**MARINE**

**TRANSMISSION-SHAFT, PTO-SHAFT**

07016184-0



**ALU - HOUSING**





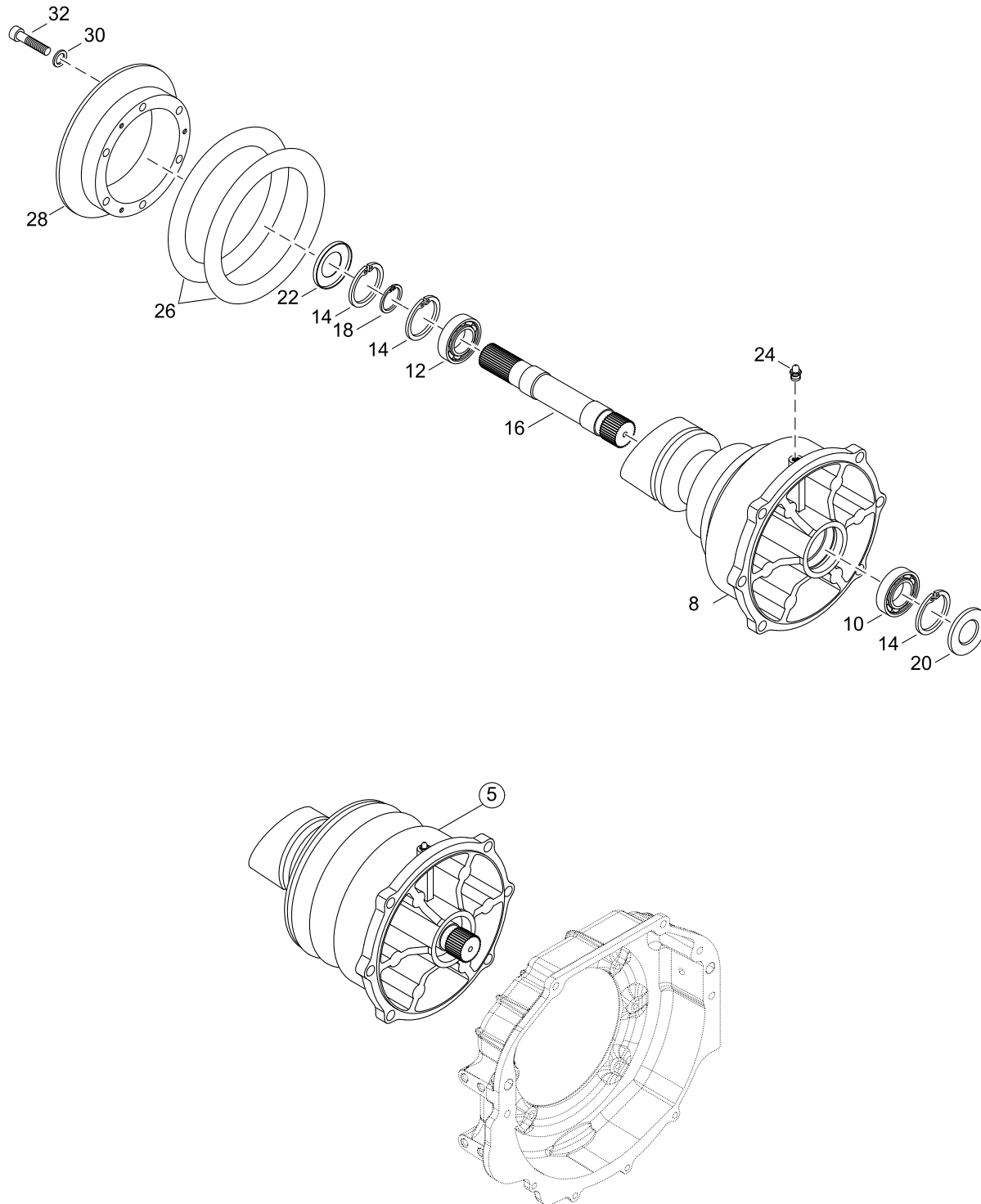


TA 0720

**SE236 S36**  
**MARINE**

**DRIVE ADAPTOR VOLVO STERNDRIVE**

07206084-0









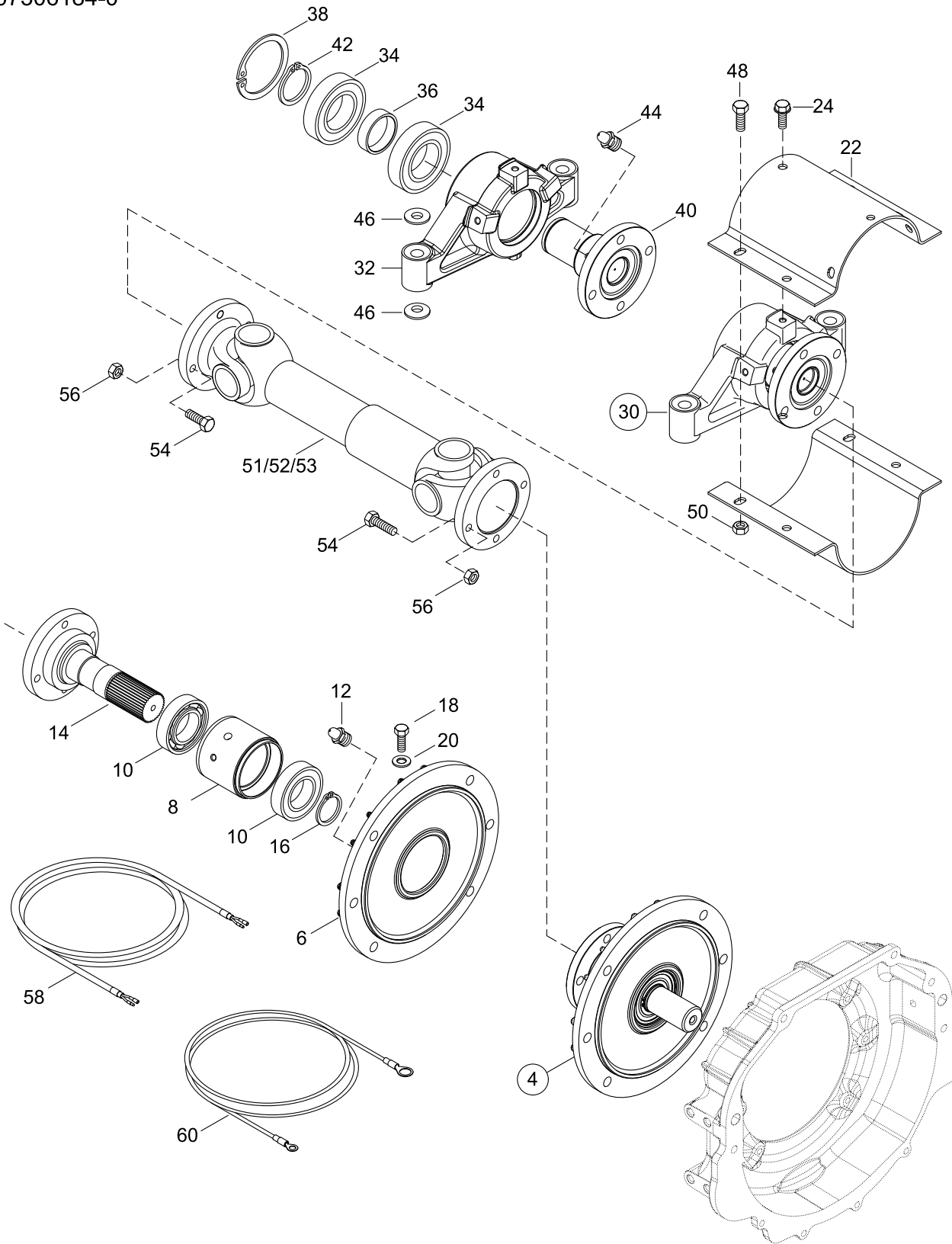
TA 0730



**SE236 S36**  
**MARINE**

**DRIVE SHAFT EXT. MERCURY STERNDRIVE**

07306184-0





**DRIVE SHAFT EXT. MERCURY STERNDRIVE**

**SE236 S36  
MARINE**

07306184-0

Pos.	Part.-No.	Qty	Designation	Step
4	Z002116-0	1	ADAPTER SHAFT ASSY. - MERCURY W.LENGTH BALANCE (PAINTED)	.2
6	Z002117-0	1	ADAPTER HOUSING - PAINTED (ALUCASTING)	..3
8	2179328-0	1	BEARING RETAINER	..3
10	3311181-0	2	DEEP GROOVE BALL BEARING DIN 625-RS1	..3
12	3963112-0	1	LUBRICATING NIPPLE, CONE DIN 71412-AM8x1-A3F	..3
14	2178814-2	1	ADAPTER SHAFT (MERCURY)	..3
16	3933251-0	1	RETAINING RING SHAFT DIN 471-35x1,5	..3
18	3802442-0	2	HEX.HD.SCR. ISO 4017-M8x40-8.8-A2C	..3
20	O125134-0	2	WASHER LARGE	..3
22	2179273-0	4	COVER PLATE	.2
24	9000305-0	6	HEX.FLANGE BOLT EN 1665-M8x20-10.9-DAC	.2
30	Z002118-0	1	BEARING BLOCK DRIVE SH. MERC. ASSY. (PAINTED)	.2
32	Z002119-0	1	BEARING BLOCK DRIVE SH. MERC. (PAINTED)	..3
34	9000486-0	2	DEEP GROOVE BALL BEARING DIN 625-6209 2RS1	..3
36	2179271-0	1	DISTANCE PLATE	..3
38	9000403-0	1	RETAINING RING BORE DIN 472-85x3	..3
40	Z002120-0	1	SHAFT-FLANGE DRIVE SHAFT MERC.	..3
42	3933350-0	1	RETAINING RING SHAFT DIN 471-45x1.75-BLANK	..3
44	3963112-0	1	LUBRICATING NIPPLE, CONE DIN 71412-AM8x1-A3F	..3
46	2179274-0	4	WASHER SPHERIC	.2
48	3802515-0	8	HEX.HD.SCR. ISO 4017-M10x20-8.8-A3C	.2
50	9000052-0	8	HEX.FLANGE NUT,PREVG.TOR. DIN 6927-M10-8-DAC A500	.2
51	Z002079-0	1	DRIVE SHAFT L=432mm & SCREWS	.2
52	Z002080-0	1	DRIVE SHAFT L=1000mm & SCREWS	.2
53	Z002081-0	1	DRIVE SHAFT L=1500mm & SCREWS	.2
54	9000066-0	8	HEX.HD.BOLT ISO 4017-M10x35-12.9	..3
56	9000052-0	8	HEX.FLANGE NUT,PREVG.TOR. DIN 6927-M10-8-DAC A500	..3
58	2179352-0	1	EXTENSION CABLE - TRIMSSENSOR 1,5m	.2
60	2179353-0	1	GROUND WIRE FLYW.HSG-TRANSOM 1,8m	.2



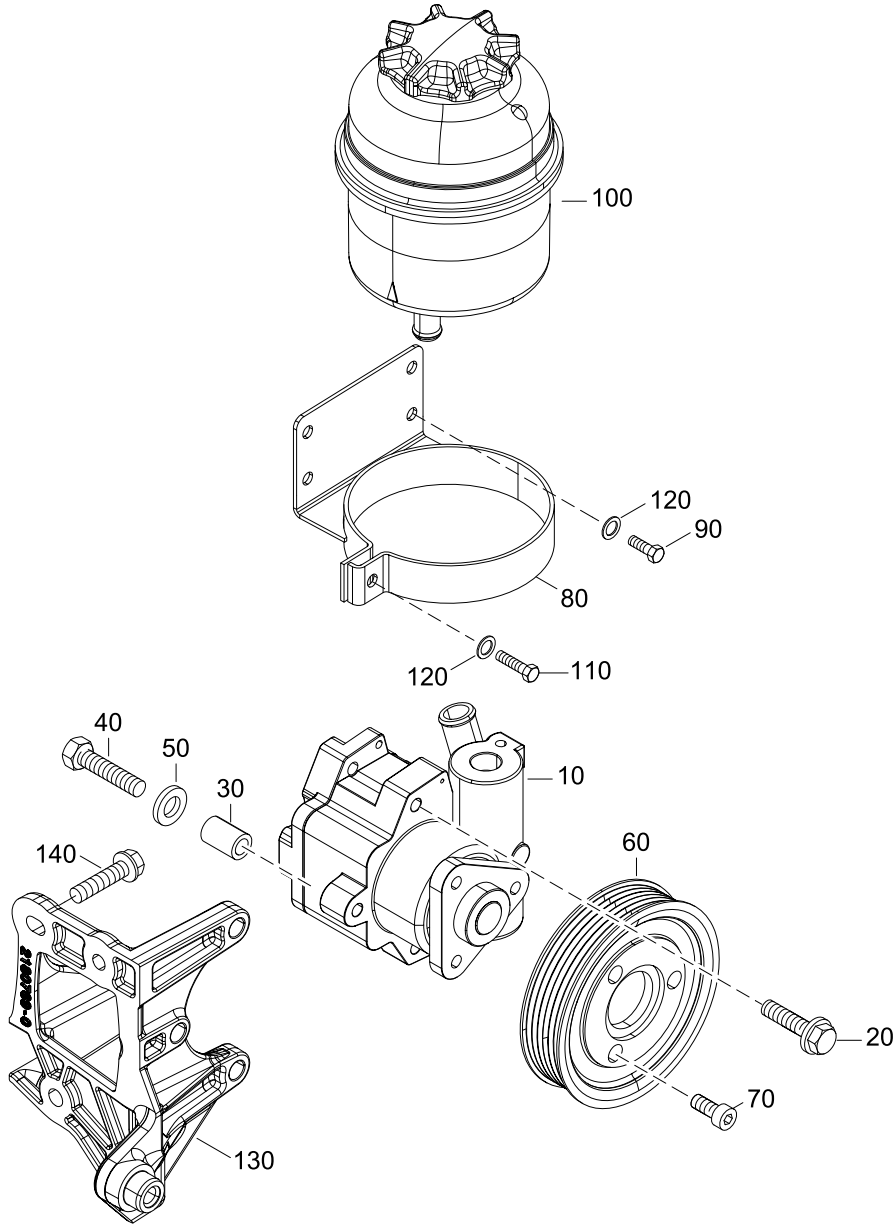


TA 1408

**SE236 S36**  
**MARINE**

**HYDRAULIC PUMP**

14086284-0





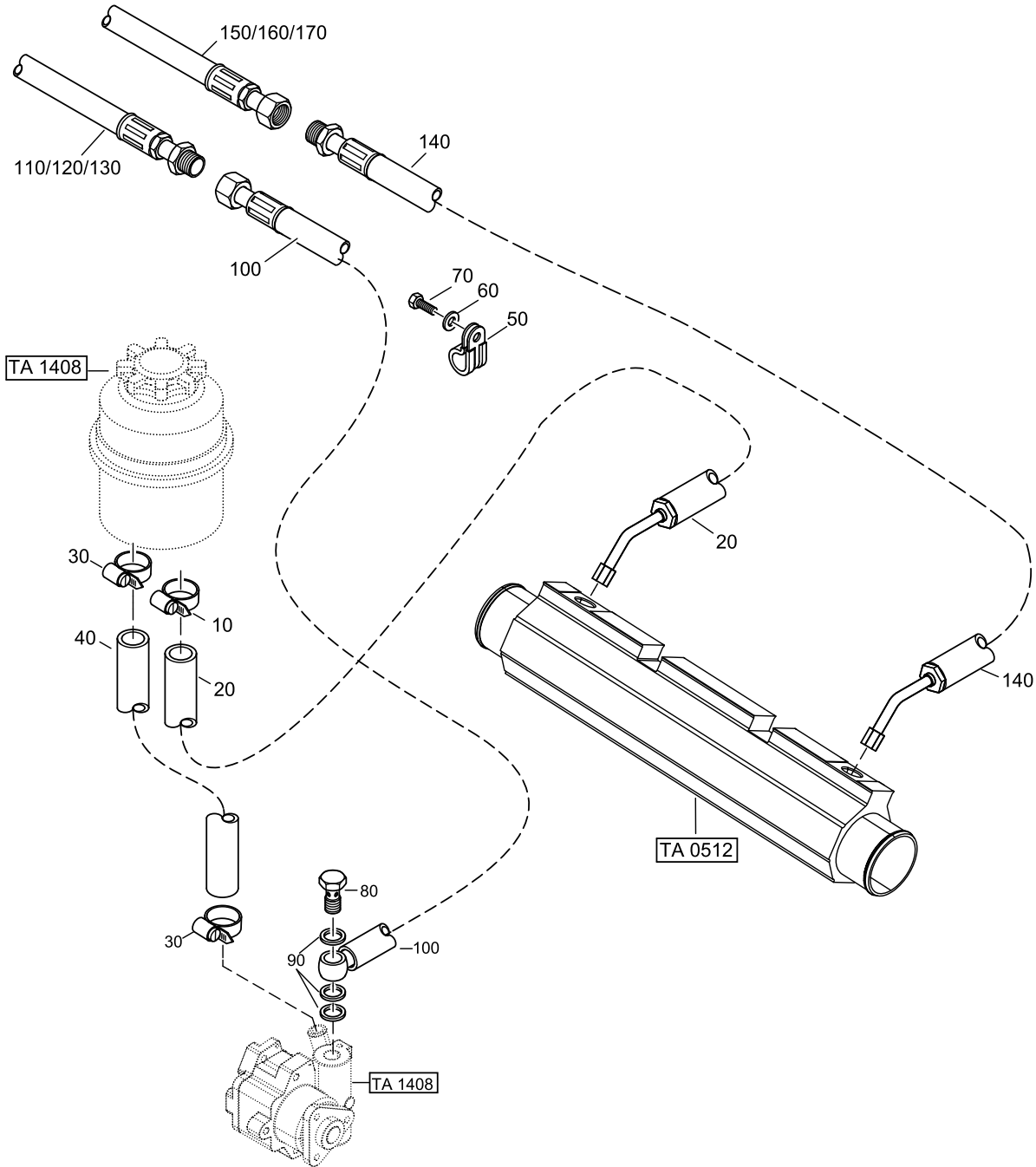


TA 1409

**SE236 S36**  
**MARINE**

HYDRAULIC PIPES

14096284-0





<b>HYDRAULIC PIPES</b>	<b>SE236 S36 MARINE</b>
------------------------	-----------------------------

14096284-0

Pos.	Part.-No.	Qty	Designation	Step
10	2178655-0	1	HOSE CLAMP 12-20/9	.2
20	2178936-0	1	HOSE, COOLER-RESERVOIR	.2
30	2177753-0	2	HOSE CLAMP 16-25/9 EN 10088-1	.2
40	2178573-9	1	HOSE, RESERVOIR HYDR. PUMP	.2
50	O910201-0	1	CLAMP POWER STEERING PUMP HOSES	.2
60	3930103-0	1	WASHER DIN 125-8.4-140HV-A2	.2
70	3800224-0	1	HEX.HD.SCR. ISO 4017-M8x20-A2-70	.2
80	2180201-0	1	HOLLOW SCREW M16x1,5 RW	.2
90	3098016-0	2	SEALING RING DIN 7603-A16x20-CU	.2
100	2178905-0	1	HOSE, PUMP-CYLINDER	.2
110	2178905-M	1	HOSE, ADAPTER PUMP-CYL. BRAVO STERN DRIVE (SCREWED)	.2
120	2178905-S	1	HOSE W. QUICK COUPLER PUMP —> CYL. BRAVO STERN DR.	.2
130	2178905-A	1	HOSE PUMP-CYL. ALPHA & K. COBRA STERN DRIVE	.2
140	2178906-0	1	HOSE, CYLINDER-OIL COOLER	.2
150	2178906-M	1	HOSE ZYL. BRAVO STERN DRIVE - OIL COOLER (SCREWED)	.2
160	2178906-S	1	HOSE W. QUICK COUPLER ZYL. BRAVO STERNDR.—>OIL COOLER	.2
170	2178906-A	1	HOSE CYL. ALPHA & K. COBRA ST. DRIVE - COOLER	.2





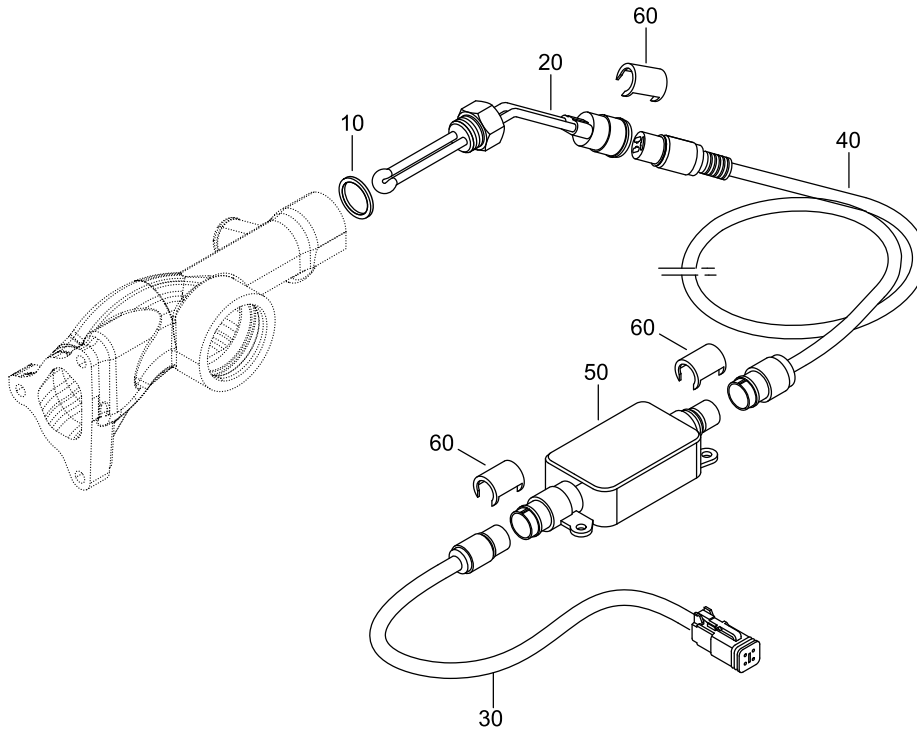
TA 2207



**SE236 S36**  
**MARINE**

**ENGINE PREHEATING**

22076284-0









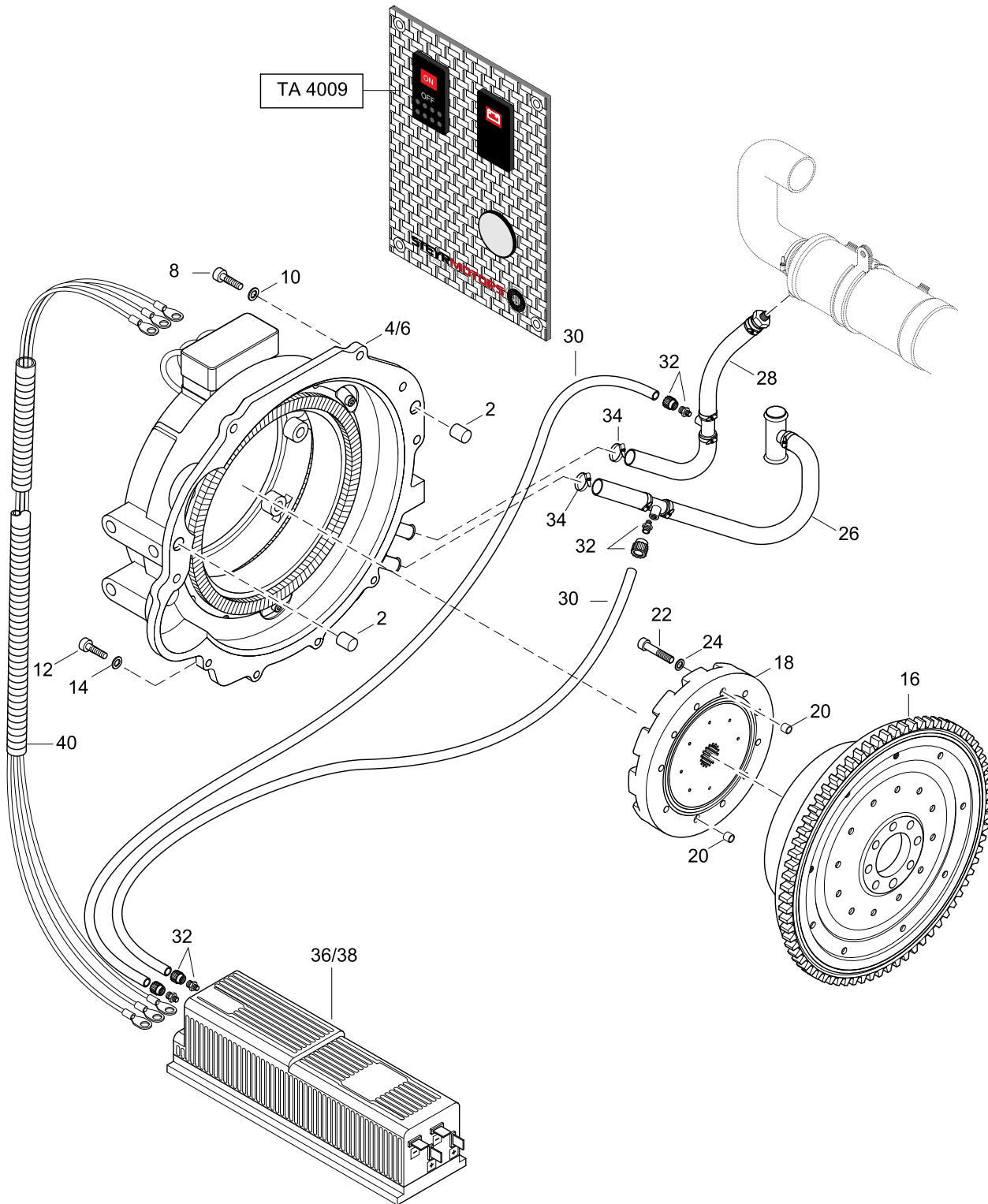
TA 4000



**SE236 S36**  
**MARINE**

**INTEGR. FLYWHEELGENERATOR (IFG)**

40006184-0





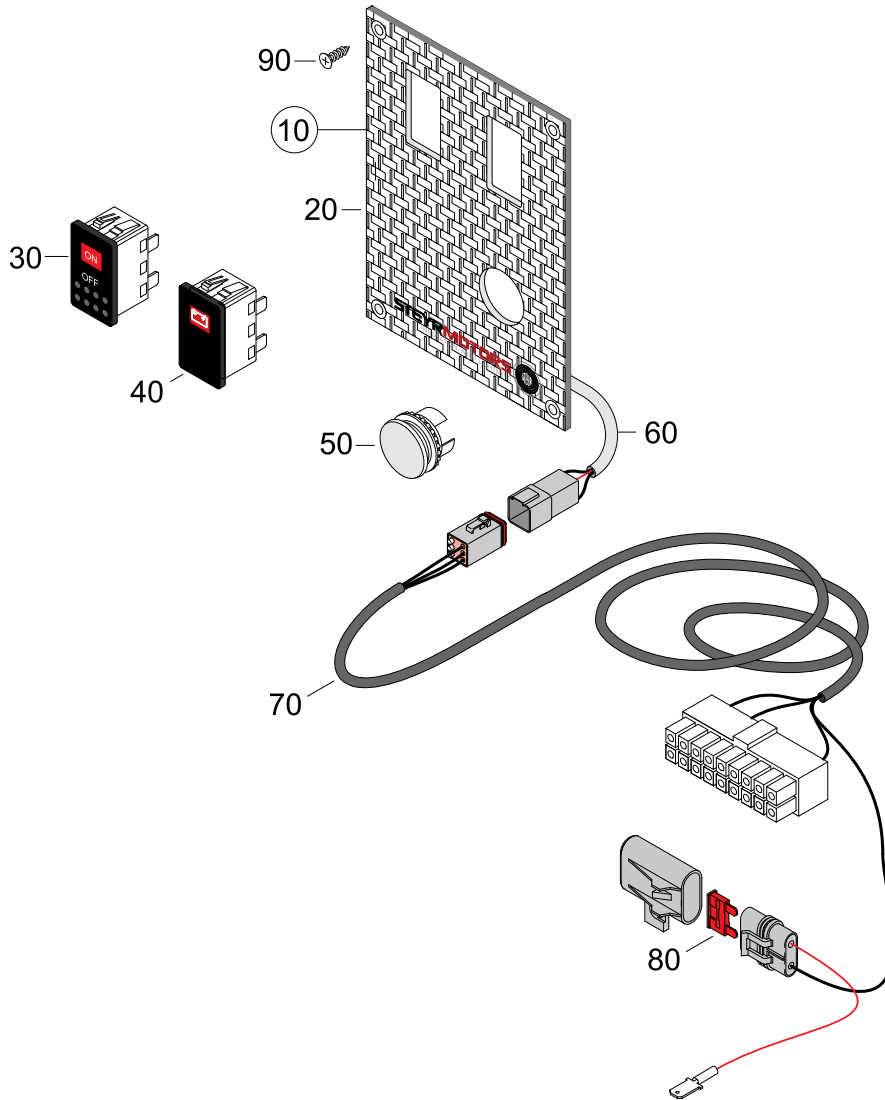


TA 4009

**SE236 S36**  
**MARINE**

PUSH BUTTON PANEL „IFG“

40096184-1





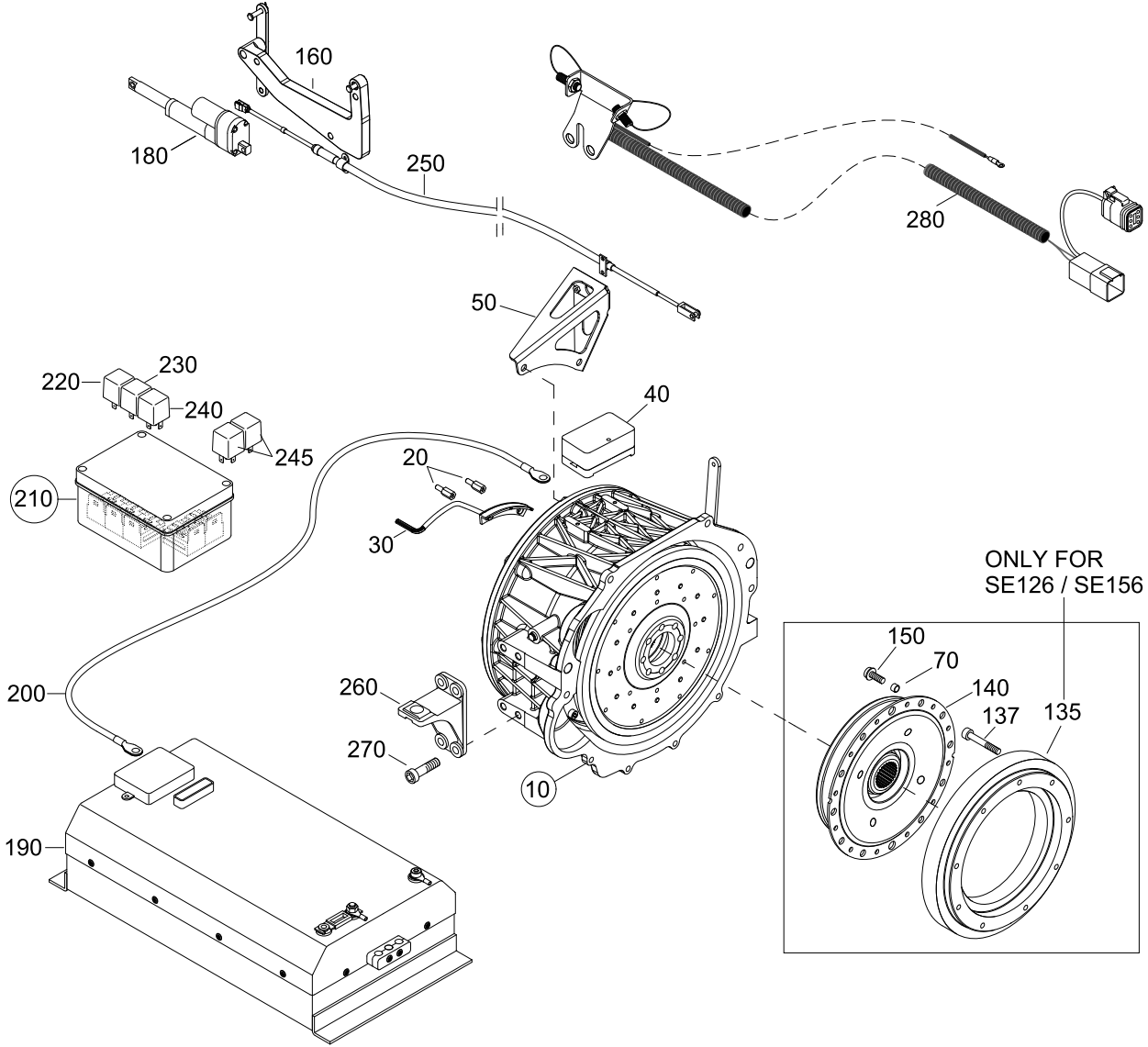


TA 4100

**SE236 536**  
**MARINE**

HYBRID

41006284-0







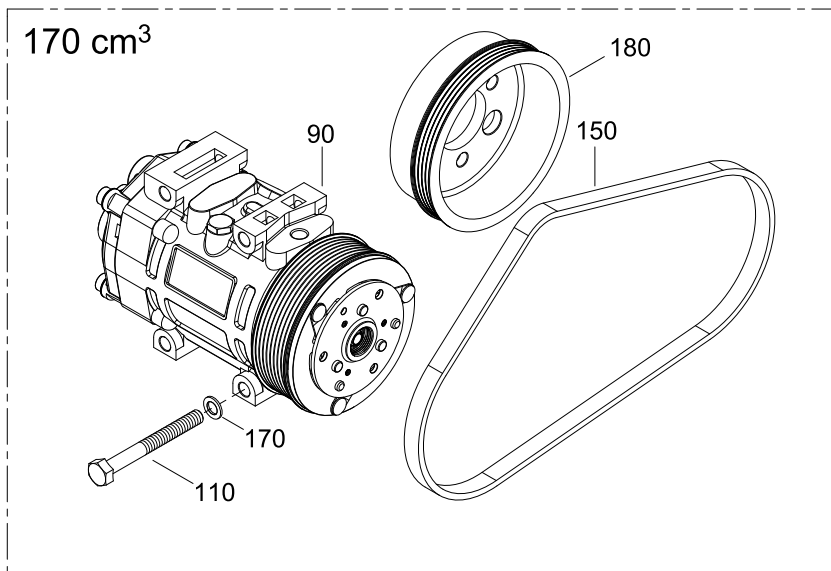
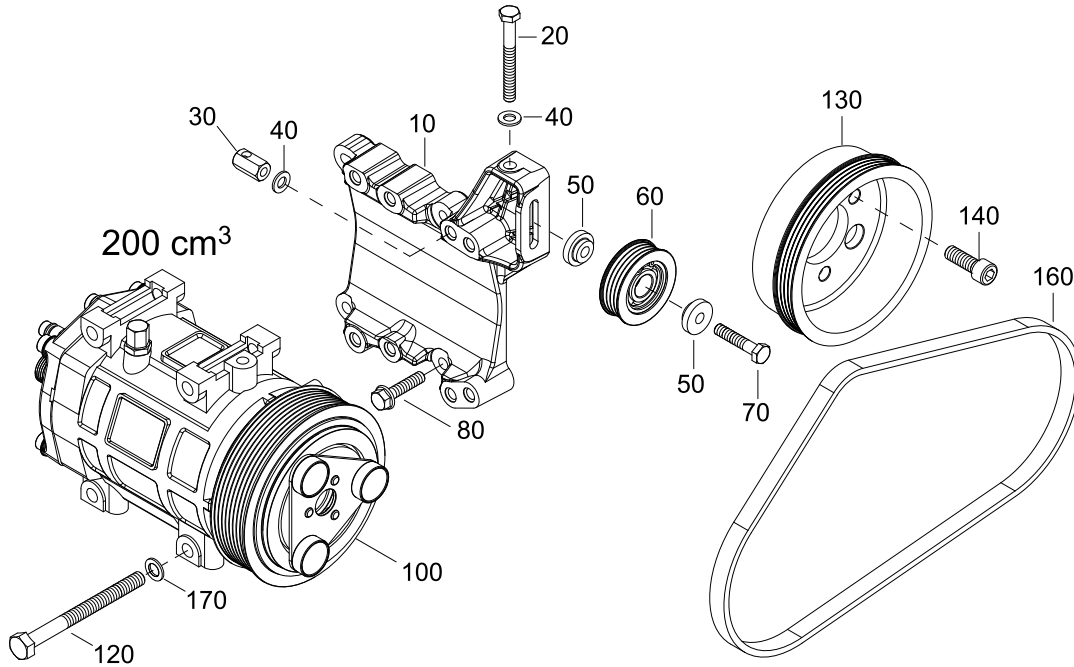
TA 5200



**SE236 S36**  
**MARINE**

**AIR CONDITIONING & DRIVE**

52006284-0





AIR CONDITIONING & DRIVE

**SE236 S36  
MARINE**

52006284-0

Pos.	Part.-No.	Qty	Designation	Step
10	Z026144-0	1	BRACKET, A-C COMPRESSOR (PAINTED)	.2
20	9000446-1	1	HEX.HD.BOLT ISO 4014-M8x70-A4-70	.2
30	2181165-0	1	NUT TENSIONER	.2
40	3930103-0	2	WASHER DIN 125-8.4-140HV-A2	.2
50	2179067-0	2	CENTERING SLEEVE	.2
60	2181164-0	1	IDLER PULLEY DM55 ASSY.	.2
70	3800307-0	1	HEX.HD.SCR. ISO 4017-M8x35-8.8-A3C	.2
80	9000278-0	4	HEX.FLANGE BOLT EN 1665-M8x35-8.8-A2C	.2
90	Z026145-0	1	A-C COMPRESSOR 170cm <sup>3</sup> (PAINTED)	.2
100	Z026146-0	1	A-C COMPRESSOR 200cm <sup>3</sup> (PAINTED)	.2
110	9001153-0	4	HEX.HD.BOLT ISO 4014-M10x90-A2-70	.2
120	9001152-0	4	HEX.HD.BOLT ISO 4014-M10x100-A2-70	.2
130	2180834-0	1	PULLEY	.2
140	9000601-0	3	HEX.SOCK. HD.CAP SCR. ISO 4762-M10x30-12.9	.2
150	2181176-0	1	POLY-V BELT L=820 4PK	.2
160	2181175-0	1	POLY-V BELT L=875 4PK	.2
170	3930075-0	4	WASHER DIN 125 A10.5-140HV-A2	.2
180	2180835-0	1	PULLEY	.2





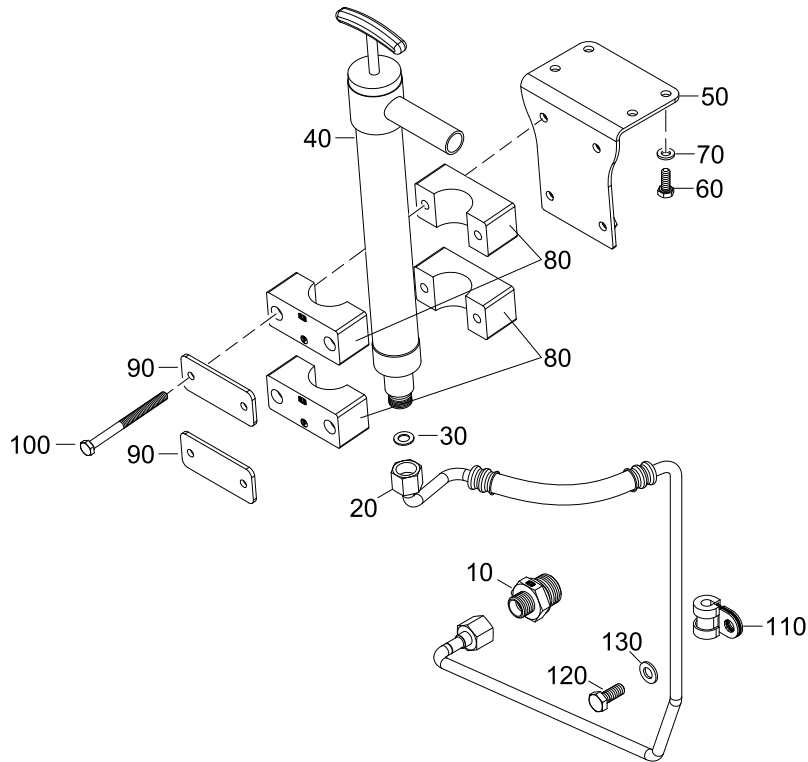
TA 5520



**SE236 536**  
**MARINE**

OIL DRAIN PUMP

55206284-0





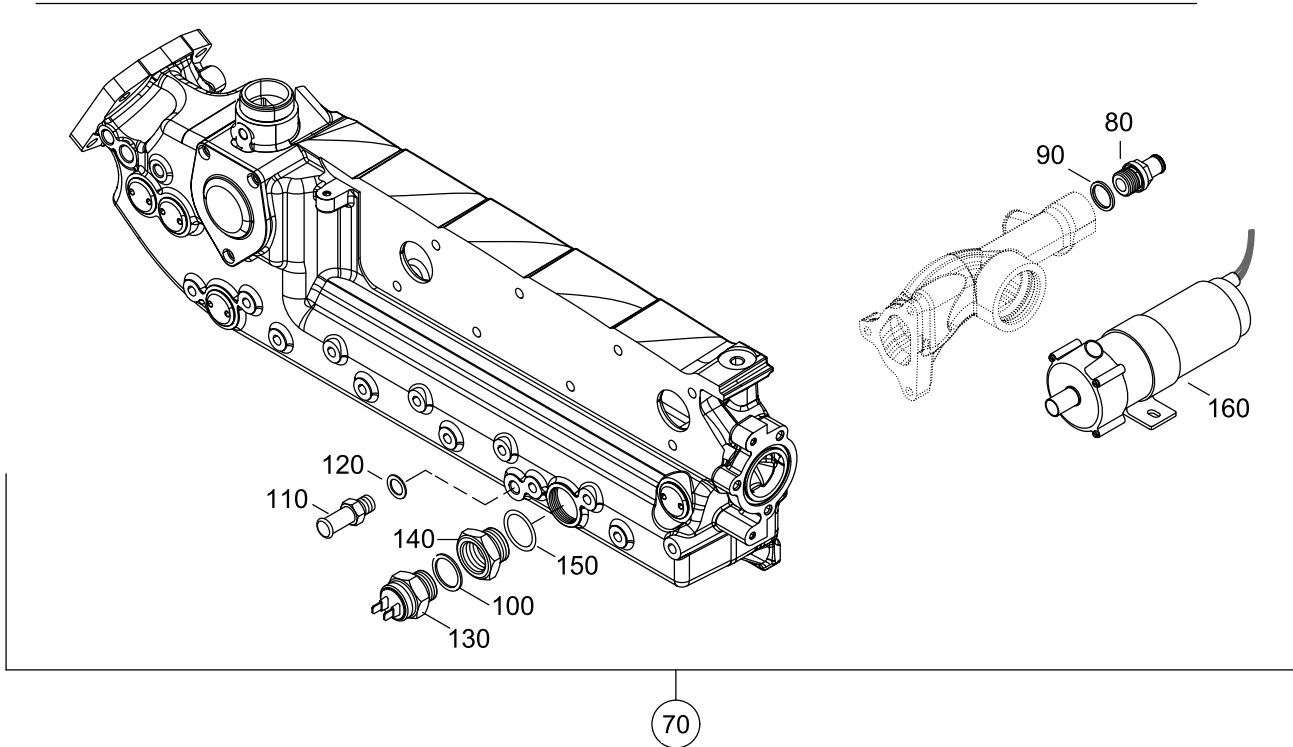
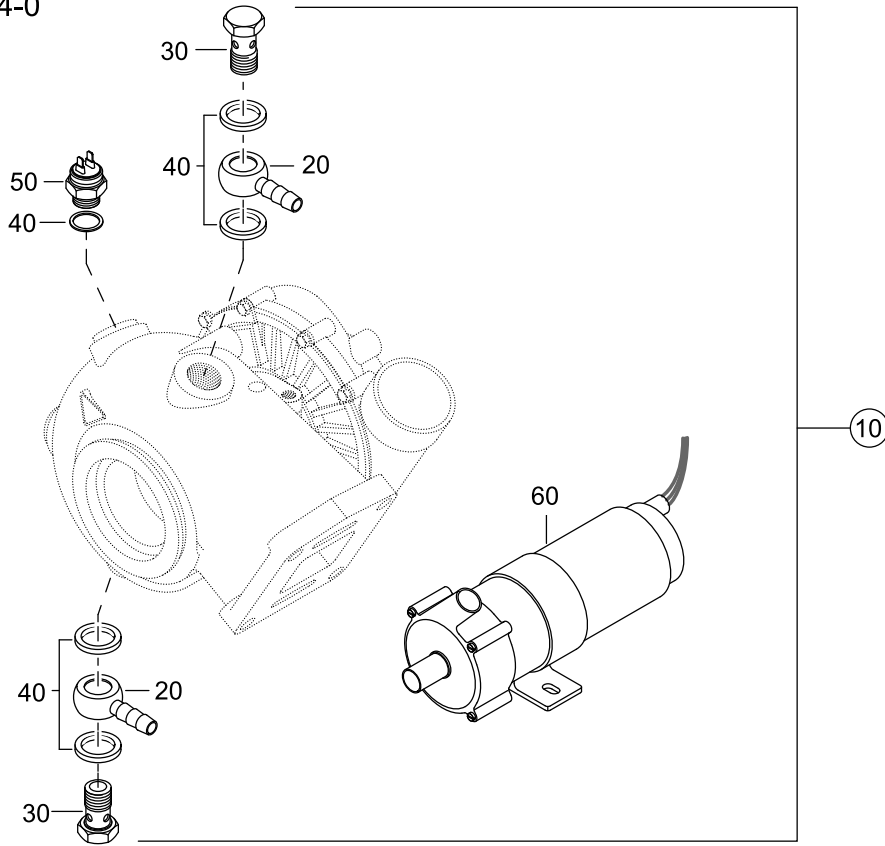


TA 6012

**SE236 S36**  
**MARINE**

HEATING UNIT, CIRCULATION PUMP

60126284-0





**HEATING UNIT, CIRCULATION PUMP**

**SE236 S36  
MARINE**

60126284-0

Pos.	Part.-No.	Qty	Designation	Step
10	2178774-0	1	HOT WATER FITTING KIT (WITH WATER COOLED TURBO)	.2
20	2178770-0	2	BANJO	..3
30	9000093-0	2	HOLLOW SCREW M22x1,5 DIN 7643-18-A3C	..3
40	3098026-0	5	SEALING RING DIN 7603-A22x27-CU	..3
50	2178771-0	1	THERMO SWITCH, HEATINGPUMP	..3
60	2178772-0	1	CIRCULATION PUMP	..3
70	2181144-0	1	HOT WATER FITTING KIT W. PUMP (W/O WATER COOLED TURBO)	.2
80	9000648-0	1	SCREW-IN SOCKET M22x1,5-16	..3
90	9000815-0	1	PROFILED GASKET DIN 3869-22-NBR	..3
100	3098026-0	1	SEALING RING DIN 7603-A22x27-CU	..3
110	2178698-0	1	NIPPLE HEATER ON OILCOOLER	..3
120	3098013-0	1	SEALING RING DIN 7603-A12x18-CU	..3
130	2178771-0	1	THERMO SWITCH, HEATINGPUMP	..3
140	2180078-0	1	ADAPTER THERMO SWITCH	..3
150	2179242-0	1	O-RING 27x2,5	..3
160	2178772-0	1	CIRCULATION PUMP	..3

